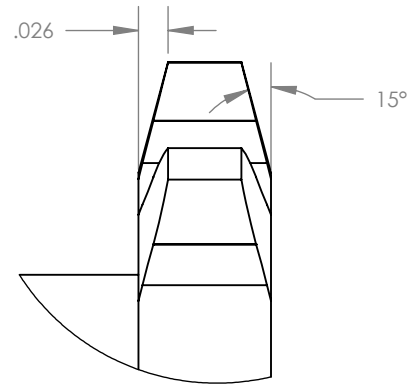
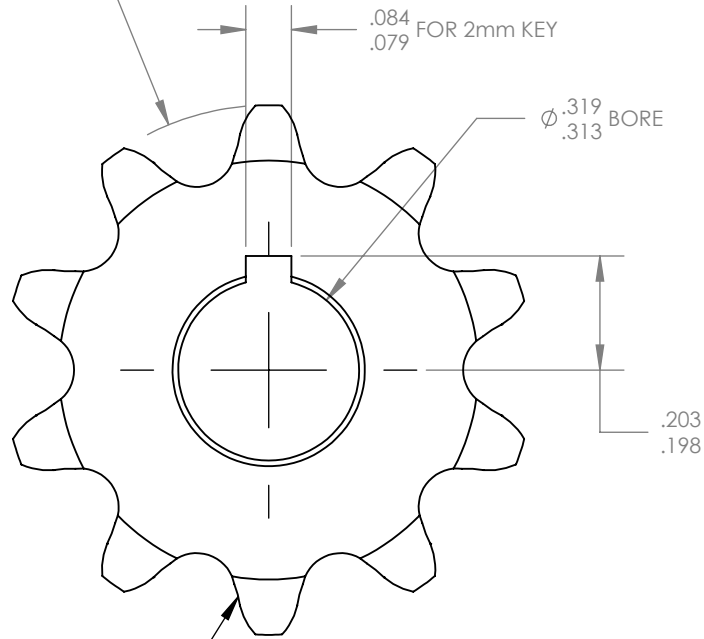
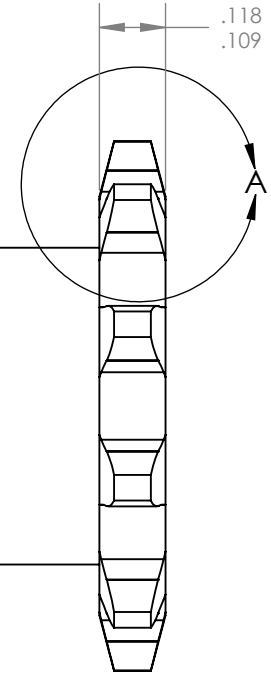


Ø.919
OUTSIDE DIA.

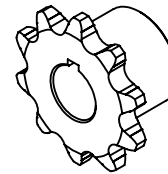


DETAIL A

.010
X 45° CHAMFER



25 SERIES, 10 TOOTH ANSI
ROLLER SPROCKET
FOR PROFILE GEOMETRY
SEE CAD GEOMETRY



PROPRIETARY AND CONFIDENTIAL
THE INFORMATION CONTAINED IN THIS
DRAWING IS THE SOLE PROPERTY OF
<INSERT COMPANY NAME HERE>. ANY
REPRODUCTION IN PART OR AS A WHOLE
WITHOUT THE WRITTEN PERMISSION OF
<INSERT COMPANY NAME HERE> IS
PROHIBITED.

		UNLESS OTHERWISE SPECIFIED:		NAME	DATE	TITLE: S25-10HA-313K Sprocket
		DIMENSIONS ARE IN INCHES	DRAWN			
		TOLERANCES: FRACTIONAL ±	CHECKED			
		ANGULAR: MACH ± BEND ±	ENG APPR.			
		TWO PLACE DECIMAL ±	MFG APPR.			
		THREE PLACE DECIMAL ±	Q.A.			
		INTERPRET GEOMETRIC TOLERANCING PER:	COMMENTS:			
		MATERIAL 7075 Aluminum				SIZE DWG. NO. REV
		FINISH Tumbled				A am-0505 1
NEXT ASSY	USED ON	APPLICATION	DO NOT SCALE DRAWING			SCALE: 1:1 WEIGHT: SHEET 1 OF 1