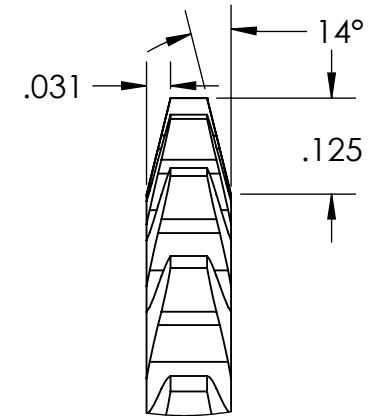
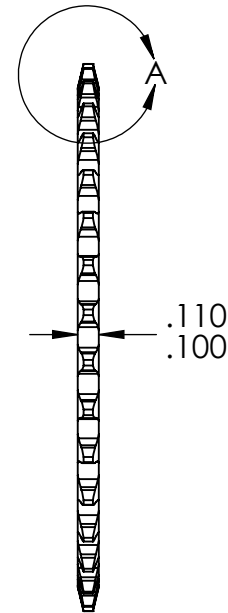
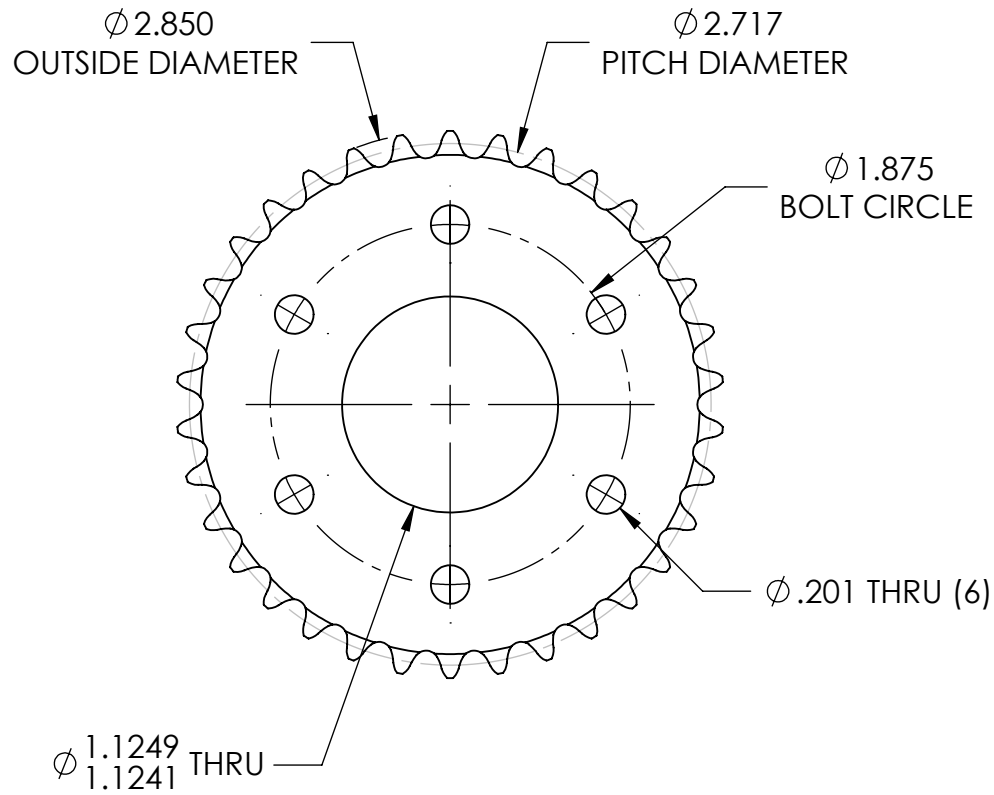



REVISION HISTORY			
REV.	DESCRIPTION	DATE	DRAWN BY
1	ORIGINAL PRINT	10/3/2008	A. BAKER
2	CHAMFER REMOVED, THICKNESS TO 0.090	10/5/2015	D. BLAU
3	CHAMFER ADDED, UPDATED TO AMDS-1	7/16/2018	A. MILLS



DETAIL A
SCALE 4 : 1

*** SEE CAD FOR ADDITIONAL TOOLPATH INFO***

UNLESS OTHERWISE SPECIFIED:		COMMENTS:					
DIMENSIONS ARE IN INCHES		DUAL DIMENSIONS ARE IN MILLIMETERS.					TITLE:
TOLERANCES: FRACTIONAL $\pm 1/16$ ANGULAR: MACH $\pm 1^\circ$ ANGULAR: BEND $\pm 5^\circ$ ONE PLACE DECIMAL ± 0.1 TWO PLACE DECIMAL ± 0.01 THREE PLACE DECIMAL ± 0.005 FOUR PLACE DECIMAL ± 0.0005		BREAK ALL SHARP EDGES		34T 25 CHAIN BEARING BORE SPROCKET			
MATERIAL 6061-T6 ALUMINUM		CHECKED	NAME NM	DATE 7/16/18	SIZE A	DWG. NO. am-0509	REV 3
FINISH TUMBLLED		ENG APPR.					
DO NOT SCALE DRAWING		MFG APPR.					
		Q.A.				SCALE: 1:1 WEIGHT: SHEET 1 OF 1	