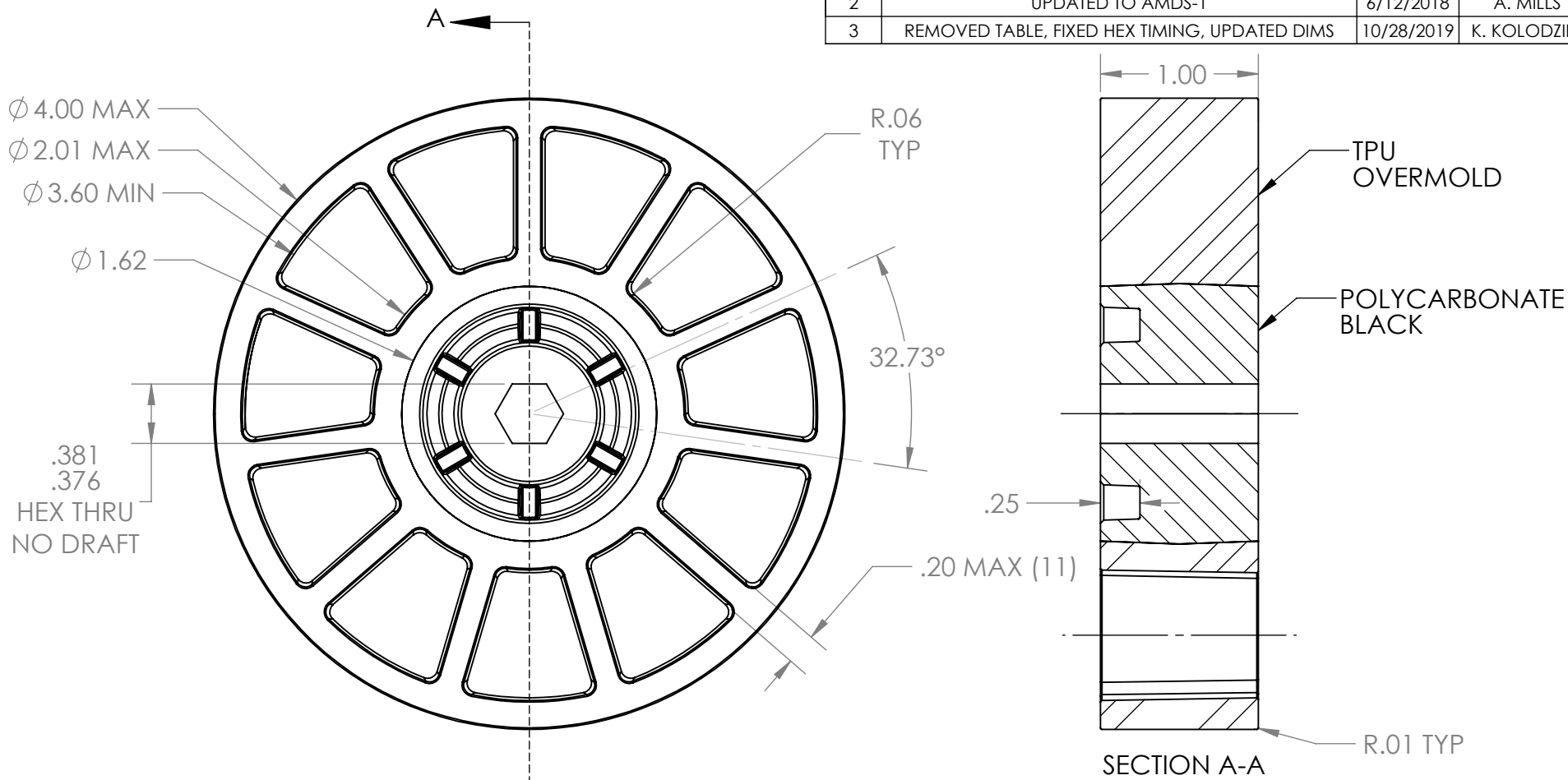
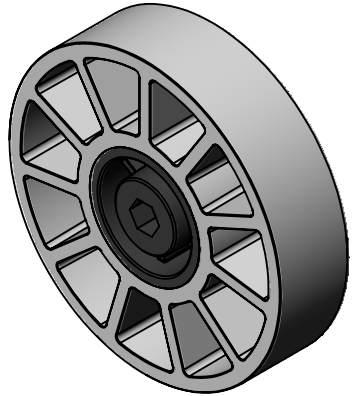


REVISION HISTORY			
REV.	DESCRIPTION	DATE	DRAWN BY
1	ORIGINAL PRINT	6/30/2017	J. ANG
2	UPDATED TO AMDS-1	6/12/2018	A. MILLS
3	REMOVED TABLE, FIXED HEX TIMING, UPDATED DIMS	10/28/2019	K. KOLODZIEJ



\*\*\* SEE CAD FOR ADDITIONAL TOOLPATH INFO\*\*\*



UNLESS OTHERWISE SPECIFIED:		COMMENTS:	
<b>DIMENSIONS ARE IN INCHES</b>		DUAL DIMENSIONS ARE IN MILLIMETERS.	
TOLERANCES:		BREAK ALL SHARP EDGES.	
FRACTIONAL	±1/16	2° DRAFTS APPLIED TO MOST SURFACES UNLESS OTHERWISE NOTED.	
ANGULAR: MACH	±1°		
ANGULAR: BEND	±5°		
ONE PLACE DECIMAL	±0.1		
TWO PLACE DECIMAL	±0.01		
THREE PLACE DECIMAL	±0.005		
FOUR PLACE DECIMAL	±0.0005		
MATERIAL	PC CORE TPU OVERMOLD	CHECKED	NAME NL
FINISH	DEBURRED	ENG APPR.	DATE 10/29/19
		MFG APPR.	
	DO NOT SCALE DRAWING	Q.A.	



TITLE:  
**4IN 375IN HEX BORE  
COMPLIANT WHEEL**

SIZE	DWG. NO.	REV
<b>A</b>	<b>am-3562</b>	<b>3</b>

SCALE: 1:1    WEIGHT:    SHEET 1 OF 1