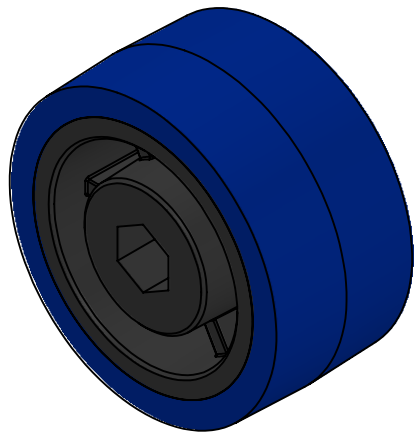
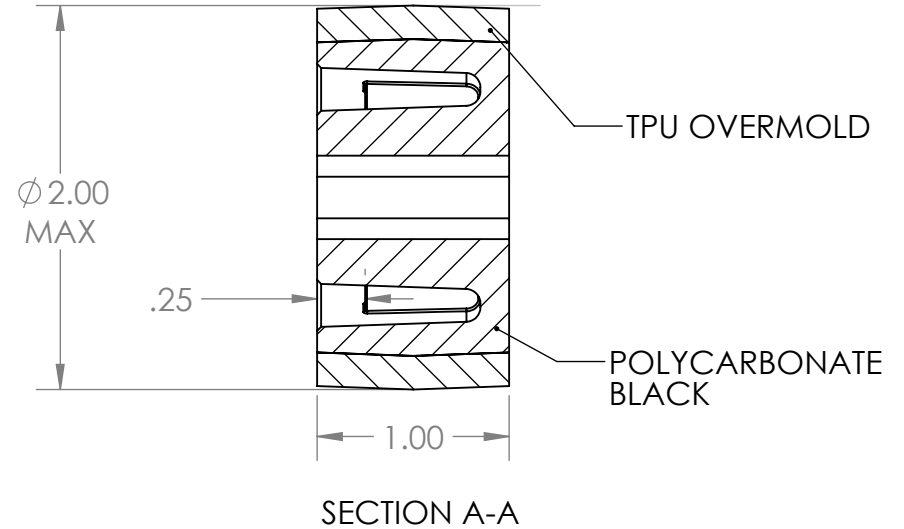
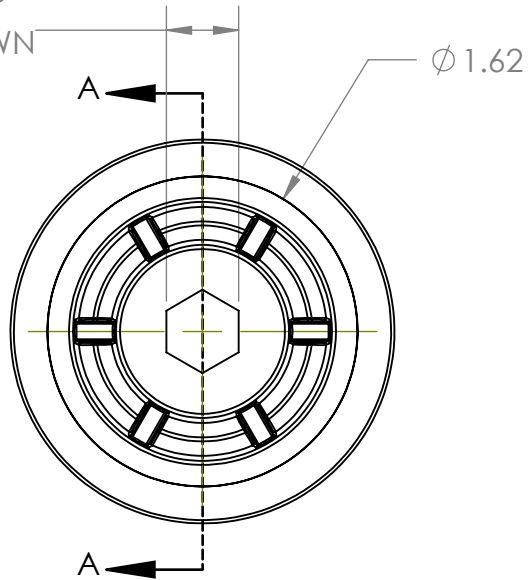



REVISION HISTORY			
REV.	DESCRIPTION	DATE	DRAWN BY
1	ORIGINAL PRINT	9/08/2016	N. LAWRENCE
2	DRAWN TO MEET AMDS-1	5/17/2018	B. HODSON
3	REMOVED TABLE, CORRECTED HEX TIMING	10/28/2019	K. KOLODZIEJ

.381  
.376 HEX THRU  
TIMED AS SHOWN  
NO DRAFT



\*\*\* SEE CAD FOR ADDITIONAL TOOLPATH INFO\*\*\*

UNLESS OTHERWISE SPECIFIED:		COMMENTS:				
<b>DIMENSIONS ARE IN INCHES</b>		DUAL DIMENSIONS ARE IN MILLIMETERS.				
TOLERANCES:		BREAK ALL SHARP EDGES.		TITLE:		
FRACTIONAL	±1/16	2° DRAFT APPLIED TO MOST SURFACES UNLESS OTHERWISE NOTED.		2IN 375IN HEX BORE STEALTH WHEEL		
ANGULAR: MACH	±1°			SIZE	DWG. NO.	REV
ANGULAR: BEND	±5°			<b>A</b>	am-3436	3
ONE PLACE DECIMAL	±0.1			SCALE: 1:1 WEIGHT: SHEET 1 OF 1		
TWO PLACE DECIMAL	±0.01					
THREE PLACE DECIMAL	±0.005					
FOUR PLACE DECIMAL	±0.0005					
MATERIAL	PC CORE	CHECKED	NAME	DATE		
	TPU OVERMOLD	ENG APPR.	NL	10/29/19		
FINISH	DEBURRED	MFG APPR.				
DO NOT SCALE DRAWING		Q.A.				