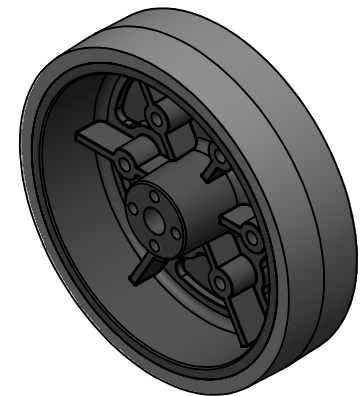
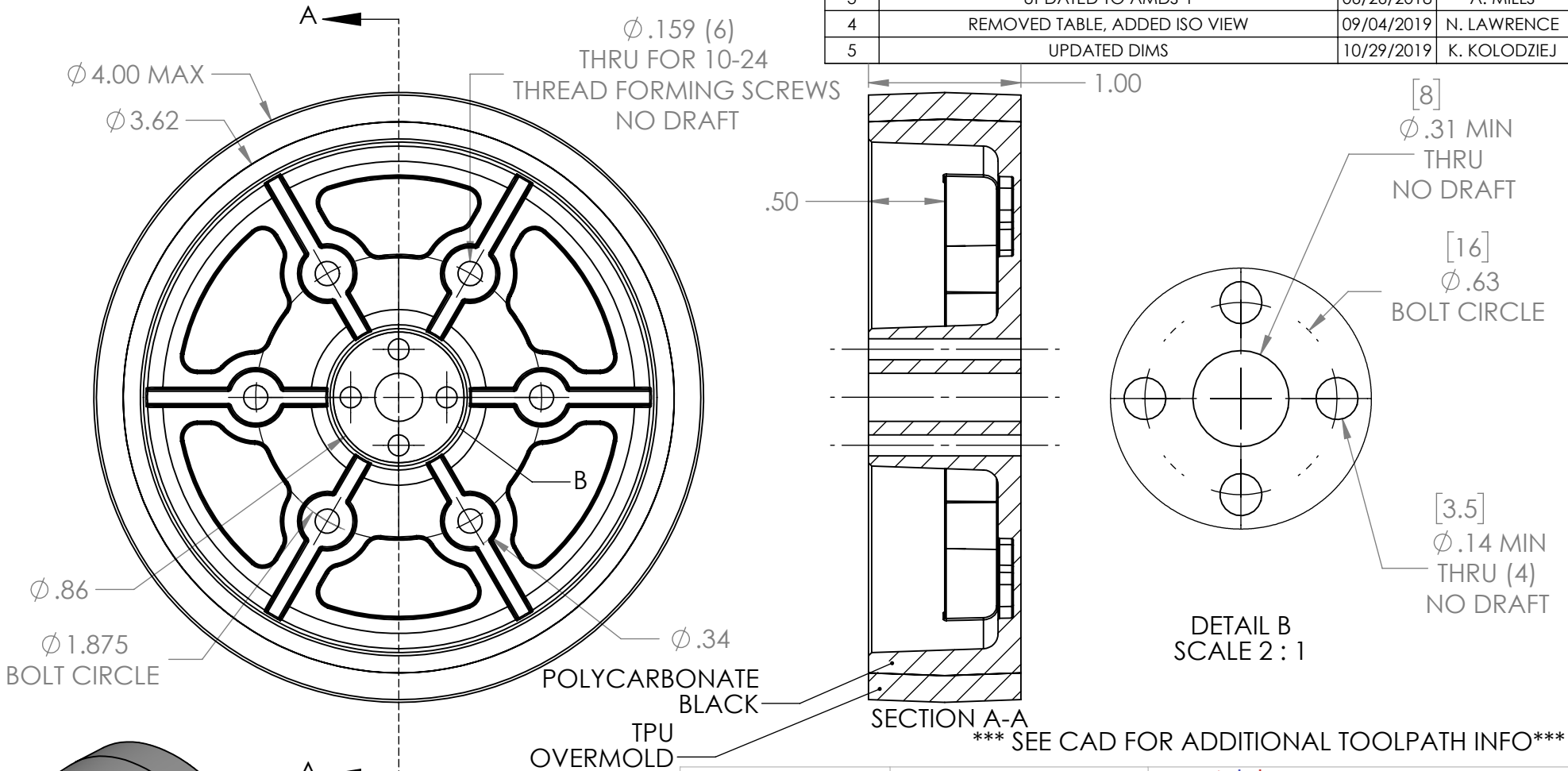


REVISION HISTORY			
REV.	DESCRIPTION	DATE	DRAWN BY
1	ORIGINAL PRINT	09/29/2014	D. BLAU
2	ADDED TABLES OF DUROMETERS	12/09/2015	N. LAWRENCE
3	UPDATED TO AMDS-1	06/26/2018	A. MILLS
4	REMOVED TABLE, ADDED ISO VIEW	09/04/2019	N. LAWRENCE
5	UPDATED DIMS	10/29/2019	K. KOLODZIEJ



UNLESS OTHERWISE SPECIFIED:		COMMENTS:	
<b>DIMENSIONS ARE IN INCHES</b>		DUAL DIMENSIONS ARE IN MILLIMETERS.	
TOLERANCES:		BREAK ALL SHARP EDGES.	
FRACTIONAL	$\pm 1/16$	2° DRAFT APPLIED TO MOST SURFACES UNLESS OTHERWISE NOTED.	
ANGULAR: MACH	$\pm 1^\circ$	CHECKED	NAME
ANGULAR: BEND	$\pm 5^\circ$	ENG APPR.	NL
ONE PLACE DECIMAL	$\pm 0.1$	MFG APPR.	DATE
TWO PLACE DECIMAL	$\pm 0.01$		10/29/19
THREE PLACE DECIMAL	$\pm 0.005$		
FOUR PLACE DECIMAL	$\pm 0.0005$		
MATERIAL	PC CORE TPU OVERMOLD		
FINISH	DEBURRED		
DO NOT SCALE DRAWING			



TITLE:		
4IN 8mm BORE STEALTH WHEEL		
SIZE	DWG. NO.	REV
<b>A</b>	am-2648	5
SCALE: 1:1		SHEET 1 OF 1