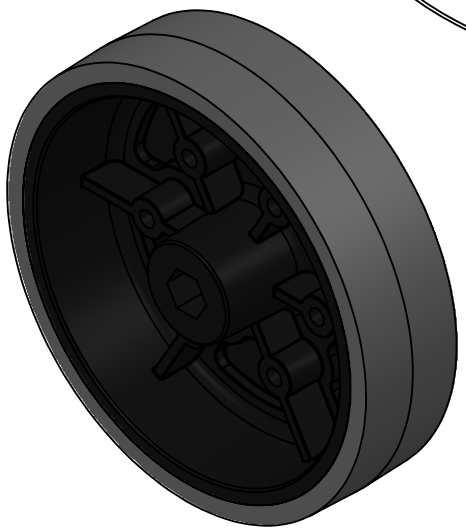
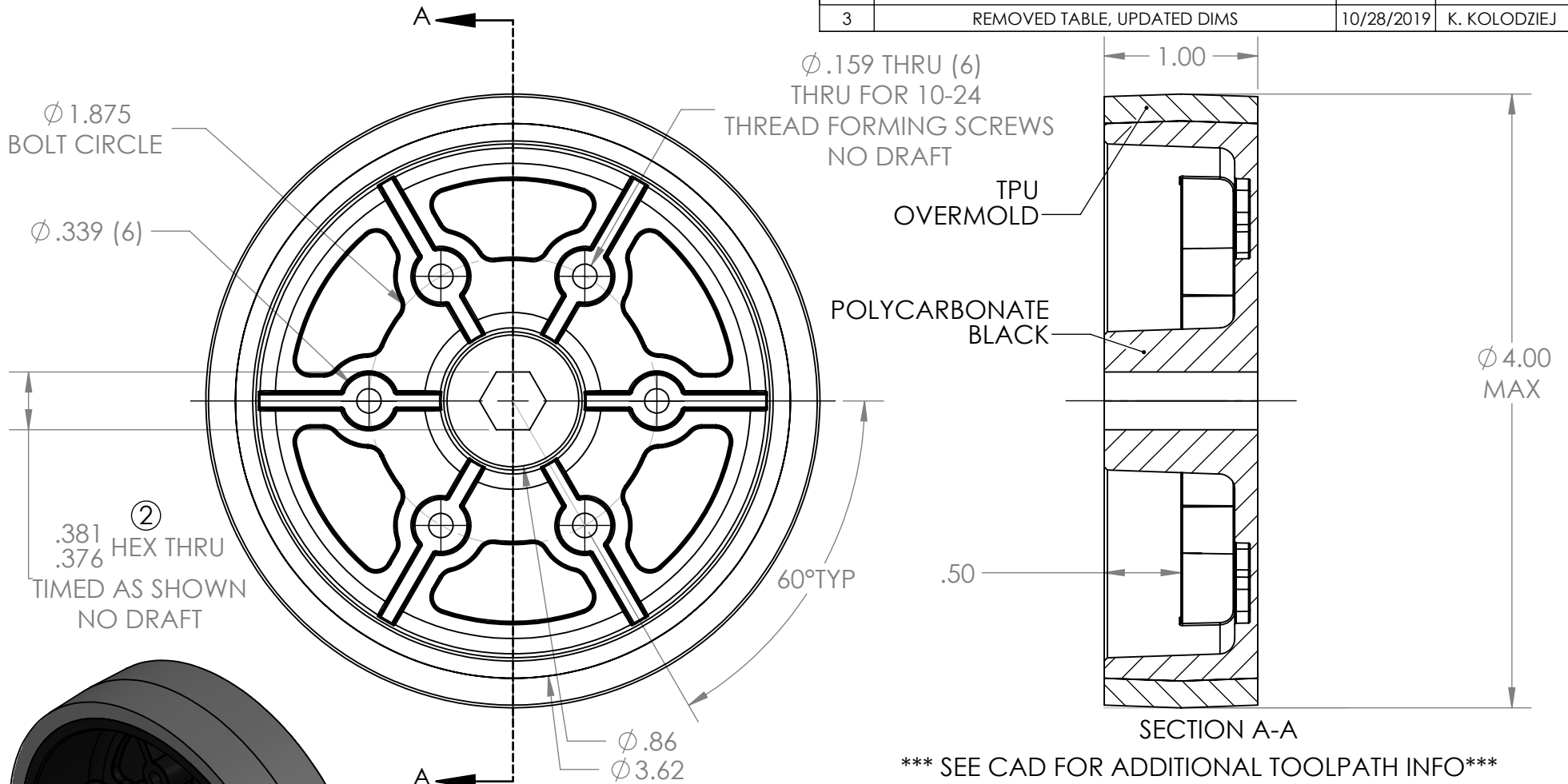


REVISION HISTORY			
REV.	DESCRIPTION	DATE	DRAWN BY
1	ORIGINAL PRINT	9/8/2016	N. LAWRENCE
2	UPDATED TOLERANCES	5/29/2018	B. HODSON
3	REMOVED TABLE, UPDATED DIMS	10/28/2019	K. KOLODZIEJ



UNLESS OTHERWISE SPECIFIED:		COMMENTS:	
DIMENSIONS ARE IN INCHES		DUAL DIMENSIONS ARE IN MILLIMETERS.	
TOLERANCES:		BREAK ALL SHARP EDGES.	
FRACTIONAL	$\pm 1/16$	2° DRAFT APPLIED TO MOST SURFACES UNLESS OTHERWISE NOTED.	
ANGULAR: MACH	$\pm 1^\circ$	CHECKED	NAME NL
ANGULAR: BEND	$\pm 5^\circ$	ENG APPR.	DATE 10/29/19
ONE PLACE DECIMAL	± 0.1	MFG APPR.	
TWO PLACE DECIMAL	± 0.01	Q.A.	
THREE PLACE DECIMAL	± 0.005		
FOUR PLACE DECIMAL	± 0.0005		
MATERIAL	PC CORE		
	TPU OVERMOLD		
FINISH	DEBURRED		
DO NOT SCALE DRAWING			



TITLE:
4IN 375IN HEX BORE STEALTH WHEEL

SIZE	DWG. NO.	REV
A	am-3435	3

SCALE: 1:1 WEIGHT: SHEET 1 OF 1