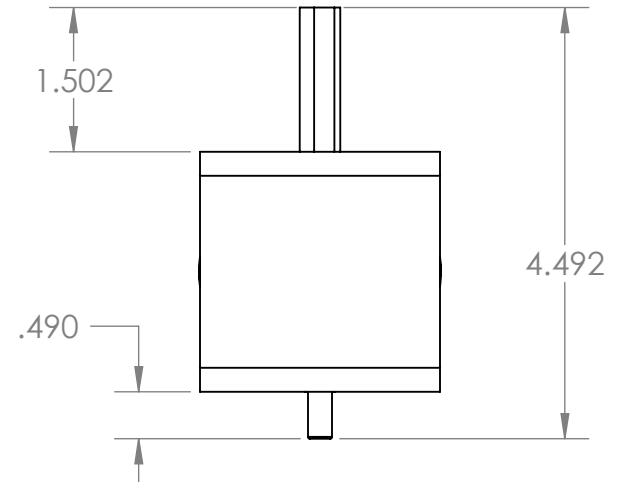
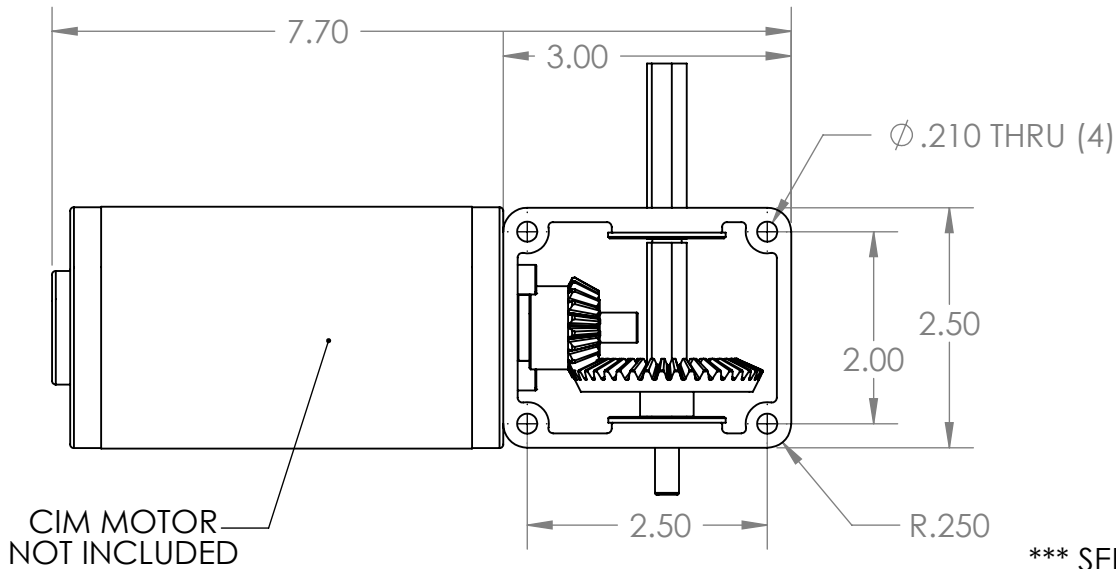
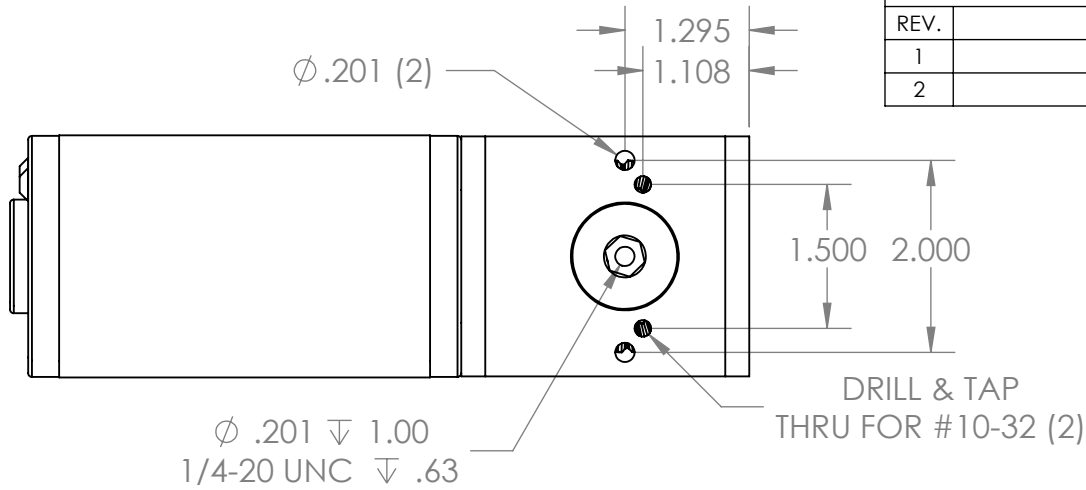


REVISION HISTORY			
REV.	DESCRIPTION	DATE	DRAWN BY
1	ORIGINAL PRINT	12/12/2013	A. BAKER
2	UPDATED TO AMDS-1	6/21/2018	A. MILLS



*** SEE CAD FOR ADDITIONAL TOOLPATH INFO***

UNLESS OTHERWISE SPECIFIED:		COMMENTS:	
DIMENSIONS ARE IN INCHES		DUAL DIMENSIONS ARE IN MILLIMETERS.	
TOLERANCES:		BREAK ALL SHARP EDGES	
FRACTIONAL	$\pm 1/16$	CHECKED	NL 6/27/18
ANGULAR: MACH	$\pm 1^\circ$	ENG APPR.	
ANGULAR: BEND	$\pm 5^\circ$	MFG APPR.	
ONE PLACE DECIMAL	± 0.1	Q.A.	
TWO PLACE DECIMAL	± 0.01		
THREE PLACE DECIMAL	± 0.005		
FOUR PLACE DECIMAL	± 0.0005		
MATERIAL			
FINISH			
DO NOT SCALE DRAWING			



TITLE:
LJ BEVELBOX

SIZE	DWG. NO.	REV
A	am-2622	2
SCALE: 1:4	WEIGHT:	SHEET 1 OF 1