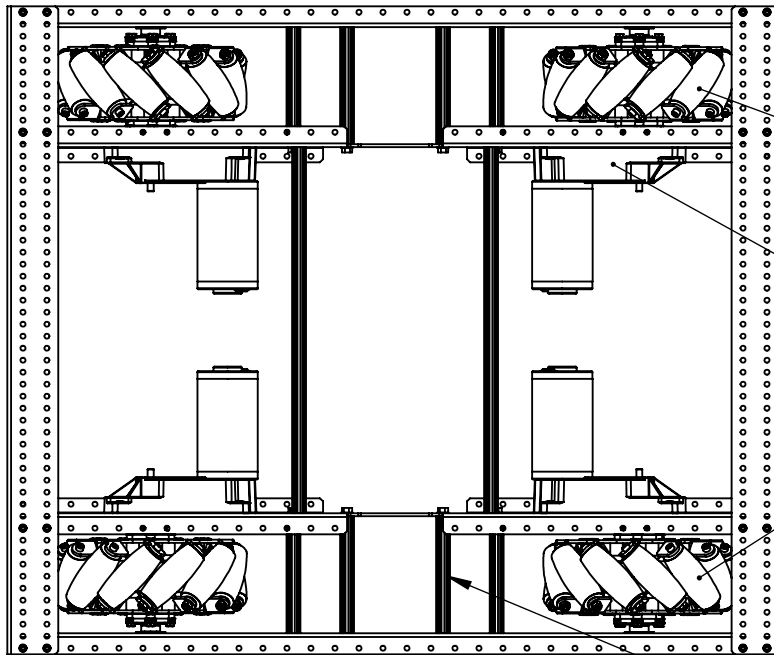


TOP VIEW

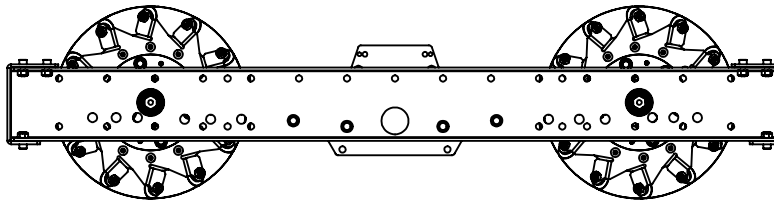
REVISION HISTORY			
REV.	DESCRIPTION	DATE	DRAWN BY
1	ORIGINAL PRINT	1/11/2019	DANNY B



SEE PAGE 2 FOR WHEEL AND SPACER STACKUP

TOUGHBOX MICRO (4)
12.75:1 GEAR RATIO
(am-3549-127)


MECANUM WHEEL ROLLERS SHOULD
FORM AN 'X' WHEN VIEWED FROM ABOVE



USE CHURROS TO STIFFEN
DRIVE MODUELS AND CHASSIS

SIDE VIEW

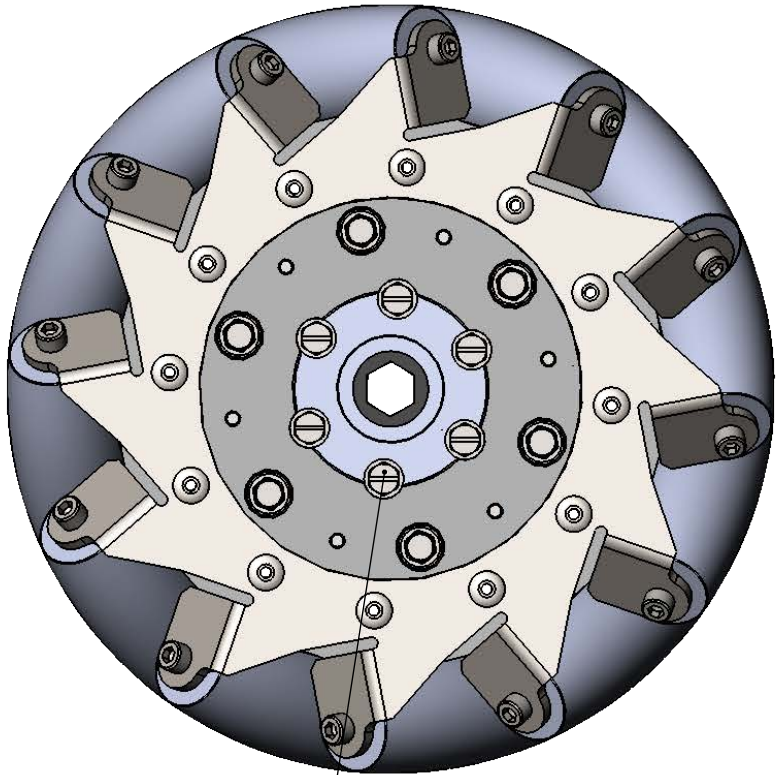
*** SEE CAD FOR ADDITIONAL TOOLPATH INFO***

UNLESS OTHERWISE SPECIFIED:		COMMENTS:				
DIMENSIONS ARE IN INCHES		DUAL DIMENSIONS ARE IN MILLIMETERS.				
TOLERANCES:		BREAK ALL SHARP EDGES.		TITLE:		
FRACTIONAL	±1/16			AM14U4		
ANGULAR: MACH	±1°			8in MECANUM WHEEL		
ANGULAR: BEND	±5°			UPGRADE KIT		
ONE PLACE DECIMAL	±0.1			SIZE	DWG. NO.	REV
TWO PLACE DECIMAL	±0.01			A	am-14U4_MK4	1
THREE PLACE DECIMAL	±0.005			SCALE: 1:8		SHEET 1 OF 2
FOUR PLACE DECIMAL	±0.0005					
MATERIAL		CHECKED	NAME	DATE		
FINISH		ENG APPR.				
		MFG APPR.				
		Q.A.				
DO NOT SCALE DRAWING						

REVISION HISTORY			
REV.	DESCRIPTION	DATE	DRAWN BY
1	ORIGINAL PRINT	1/11/2019	DANNY B

INBOARD SIDE
OF CHASSIS

OUTBOARD SIDE
OF CHASSIS

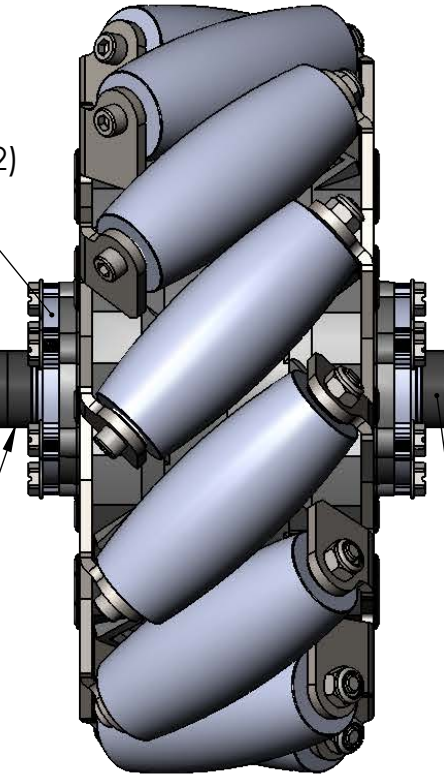


10-24 x 1.250 TFS (12)
(am-1278)

500EX HEX HUB (2)
(am-2568)


500 HEX
1/8in SPACER
(am-3948-125)

500 HEX
1/4in SPACER
(am-3948-250)



500 HEX
1/4in SPACER
(am-3948-250)

*** SEE CAD FOR ADDITIONAL TOOLPATH INFO***

UNLESS OTHERWISE SPECIFIED:		COMMENTS:				
DIMENSIONS ARE IN INCHES		DUAL DIMENSIONS ARE IN MILLIMETERS.				
TOLERANCES:		BREAK ALL SHARP EDGES.		TITLE:		
FRACTIONAL	±1/16			AM14U4		
ANGULAR: MACH	±1°			8in MECANUM WHEEL		
ANGULAR: BEND	±5°			UPGRADE KIT		
ONE PLACE DECIMAL	±0.1			SIZE	DWG. NO.	REV
TWO PLACE DECIMAL	±0.01			A	am-14U4_MK8	1
THREE PLACE DECIMAL	±0.005	SCALE: 1:2		SHEET 2 OF 2		
FOUR PLACE DECIMAL	±0.0005					
MATERIAL		CHECKED	NAME	DATE		
FINISH		ENG APPR.				
		MFG APPR.				
		Q.A.				
DO NOT SCALE DRAWING						