

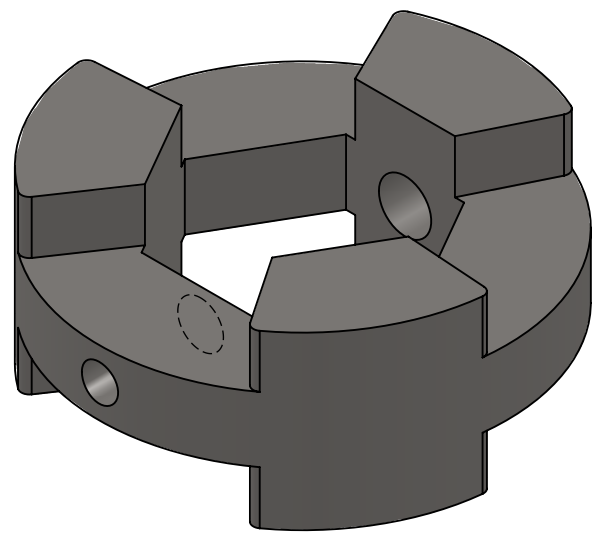
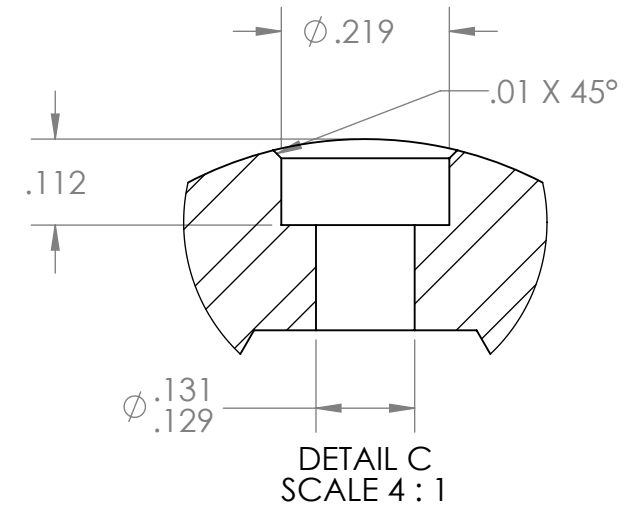
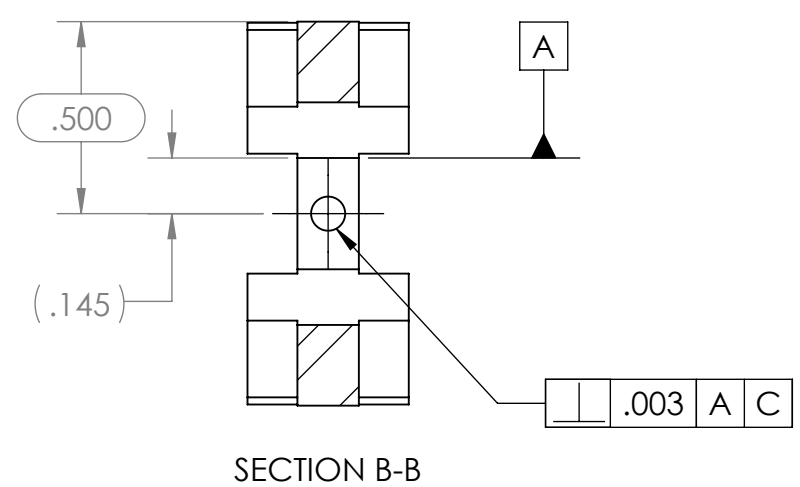
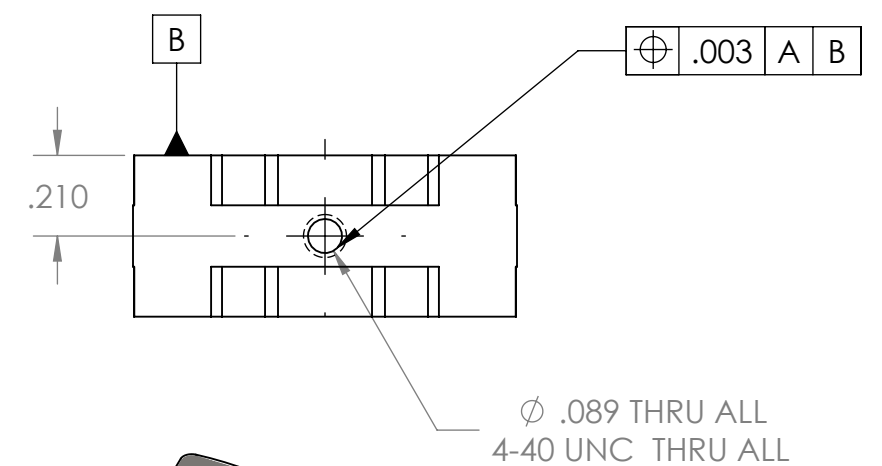
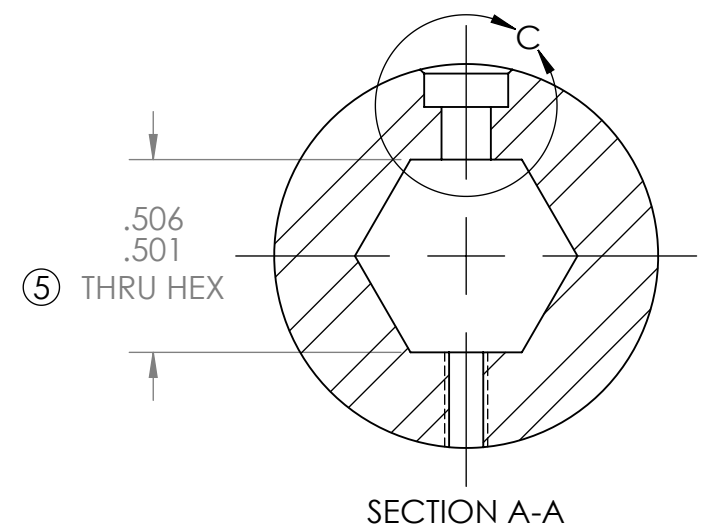
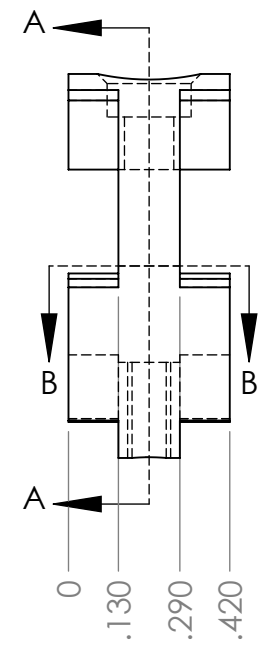
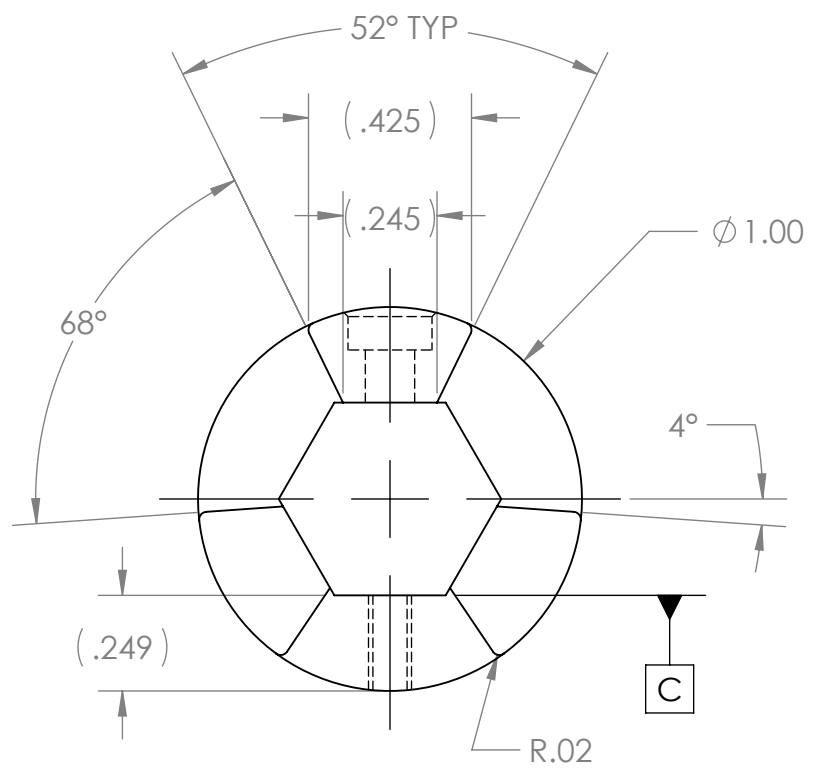
4

3

2

1

| REVISION HISTORY | | | |
|------------------|--|-----------|-------------|
| REV. | DESCRIPTION | DATE | DRAWN BY |
| 4 | REDRAWN TO AM DWG STANDARD | 10/3/2017 | N. LAWRENCE |
| 5 | DRAWN TO MEET AMDS-1, TOLERANCES UPDATED | 5/16/2018 | A. SHORES |



*** SEE CAD FOR ADDITIONAL TOOLPATH INFO***

| | | | | | |
|---------------------------------|----------------------|-------------------------------------|------|-------------|--------------|
| UNLESS OTHERWISE SPECIFIED: | | COMMENTS: | | | |
| DIMENSIONS ARE IN INCHES | | DUAL DIMENSIONS ARE IN MILLIMETERS. | | | |
| TOLERANCES: | | BREAK ALL SHARP EDGES. | | TITLE: | |
| FRACTIONAL | ±1/16 | | | THREE TOOTH | |
| ANGULAR: MACH | ±1° | | | DOG GEAR | |
| ANGULAR: BEND | ±5° | | | SIZE | DWG. NO. |
| ONE PLACE DECIMAL | ±0.1 | | | B | am-0020d |
| TWO PLACE DECIMAL | ±0.01 | | | SCALE: 2:1 | SHEET 1 OF 1 |
| THREE PLACE DECIMAL | ±0.005 | | | | |
| FOUR PLACE DECIMAL | ±0.0005 | | | | |
| MATERIAL | 316 STAINLESS | CHECKED | NAME | DATE | REV |
| FINISH | TUMBLER | ENG APPR. | NL | 5/16 | 5 |
| | DO NOT SCALE DRAWING | MFG APPR. | | | |
| | | Q.A. | | | |

4

3

2

1