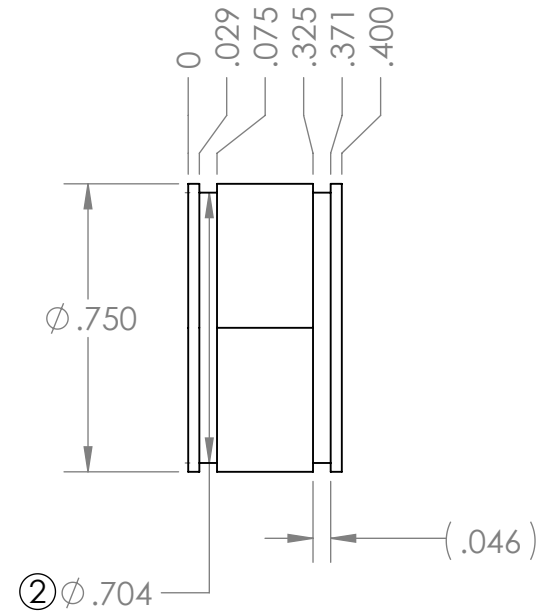
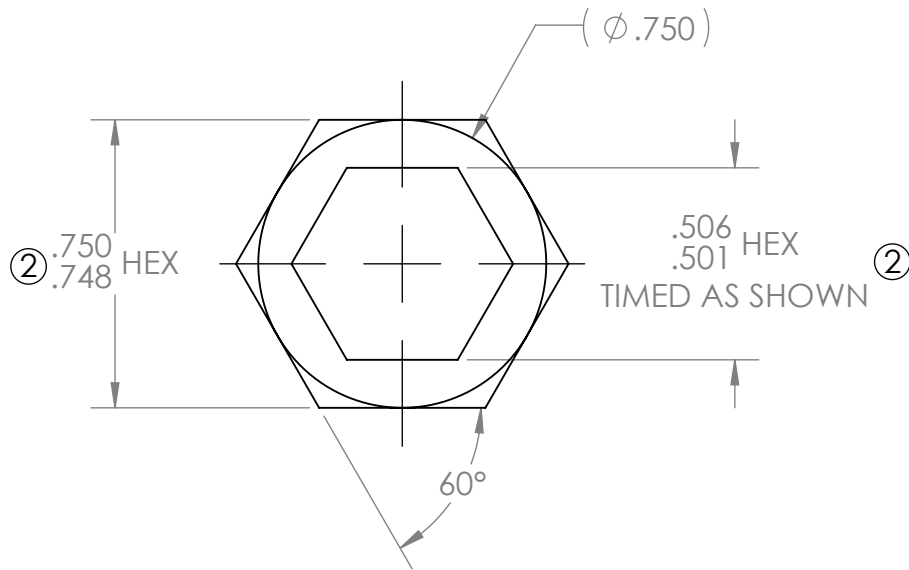
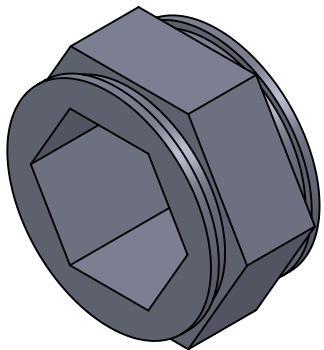



| REVISIONS | | | |
|-----------|--|----------|-------------|
| REV. | DESCRIPTION | DATE | DRAWN |
| 1 | ORIGINAL PRINT | 11/2016 | A. BAKER |
| 2 | UPDATED TO AMDS-1, ADDED RETAINING GROOVE DIA. | 2/5/2020 | N. LAWRENCE |



*** SEE CAD FOR ADDITIONAL TOOLPATH INFO***



| | | | | | |
|---------------------------------|----------------------|-------------------------------------|------|---|--------------|
| UNLESS OTHERWISE SPECIFIED: | | COMMENTS: | |  | |
| DIMENSIONS ARE IN INCHES | | DUAL DIMENSIONS ARE IN MILLIMETERS. | | | |
| TOLERANCES: | | BREAK ALL SHARP EDGES | | TITLE: | |
| FRACTIONAL | ±1/16 | | | FLEXHUB | |
| ANGULAR: MACH | ±1° | | | 500HEX BORE | |
| ANGULAR: BEND | ±5° | | | SIZE | |
| ONE PLACE DECIMAL | ±0.1 | | | A | DWG. NO. |
| TWO PLACE DECIMAL | ±0.01 | | | am-2274 | |
| THREE PLACE DECIMAL | ±0.005 | | | REV | |
| FOUR PLACE DECIMAL | ±0.0005 | | | 2 | |
| MATERIAL | CRS | CHECKED | NAME | DATE | SCALE: 4:1 |
| FINISH | DEBURR ZINC PLATE | ENG APPR. | | | WEIGHT: |
| DO NOT SCALE DRAWING | | MFG APPR. | | | SHEET 1 OF 1 |
| | | Q.A. | | | |