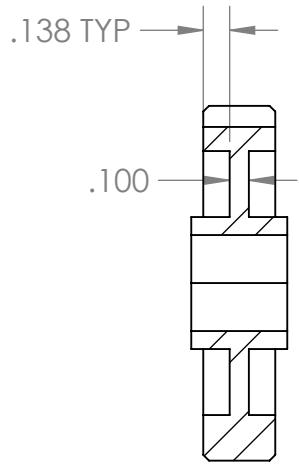
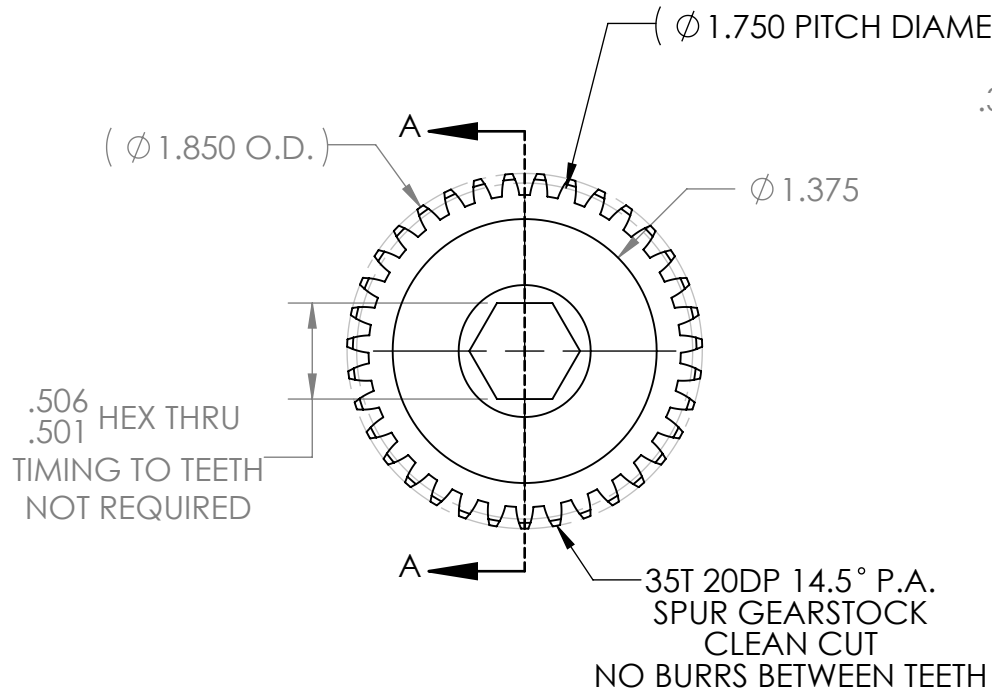


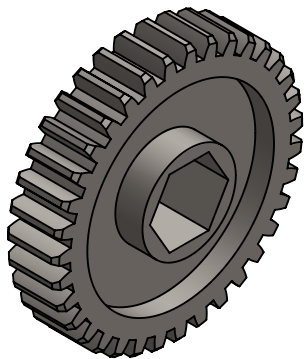
REVISION HISTORY			
REV.	DESCRIPTION	DATE	DRAWN BY
1	ORIGINAL PRINT	11/2/2016	N. LAWRENCE
2	UPDATED HEX BORE TOL, ADDED CHAMFERS, AMDS-1	2/17/2020	N. MASSOUDA




SECTION A-A



*** SEE CAD FOR ADDITIONAL TOOLPATH INFO***



UNLESS OTHERWISE SPECIFIED:		COMMENTS:				
DIMENSIONS ARE IN INCHES		DUAL DIMENSIONS ARE IN MILLIMETERS.				
TOLERANCES:		BREAK ALL SHARP EDGES		TITLE:		
FRACTIONAL	±1/16			35T 20DP 14.5PA		
ANGULAR: MACH	±1°			0.500IN HEX BORE GEAR		
ANGULAR: BEND	±5°					
ONE PLACE DECIMAL	±0.1					
TWO PLACE DECIMAL	±0.01					
THREE PLACE DECIMAL	±0.005					
FOUR PLACE DECIMAL	±0.0005					
MATERIAL				SIZE	DWG. NO.	REV
4140 STEEL				A	am-3486	2
FINISH		CHECKED	NAME			
DEBURR & ZINC PLATE		ENG APPR.	DATE			
		MFG APPR.				
DO NOT SCALE DRAWING		Q.A.		SCALE: 1:1		WEIGHT:
						SHEET 1 OF 1