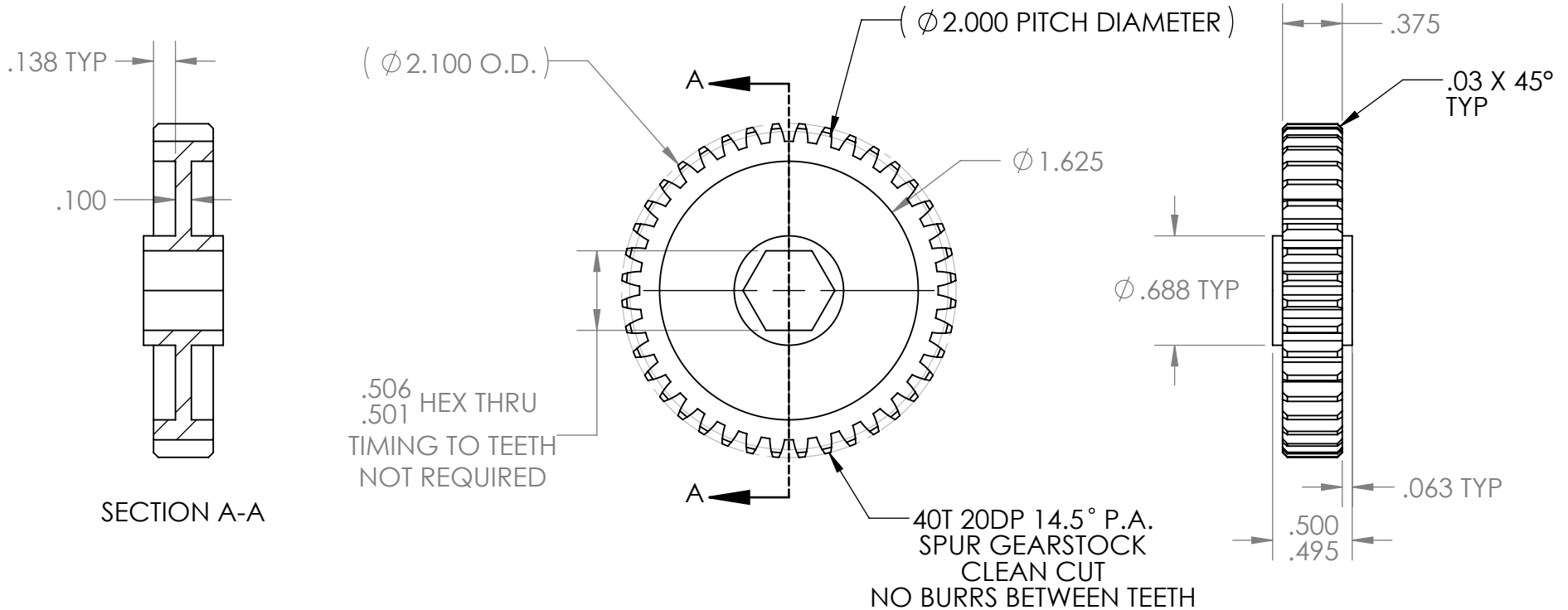
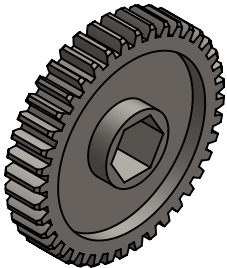


REVISION HISTORY			
REV.	DESCRIPTION	DATE	DRAWN BY
1	ORIGINAL PRINT	11/2/2016	N. LAWRENCE
2	UPDATED HEX BORE TOL, ADDED CHAMFERS, AMDS-1	2/18/2020	N. MASSOUDA



\*\*\* SEE CAD FOR ADDITIONAL TOOLPATH INFO\*\*\*



UNLESS OTHERWISE SPECIFIED:		COMMENTS:			
<b>DIMENSIONS ARE IN INCHES</b>		DUAL DIMENSIONS ARE IN MILLIMETERS.			
TOLERANCES:		BREAK ALL SHARP EDGES		TITLE:	
FRACTIONAL	$\pm 1/16$			40T 20DP 14.5PA	
ANGULAR: MACH	$\pm 1^\circ$			0.500 HEX BORE GEAR	
ANGULAR: BEND	$\pm 5^\circ$			SIZE	DWG. NO.
ONE PLACE DECIMAL	$\pm 0.1$			<b>A</b>	am-3487
TWO PLACE DECIMAL	$\pm 0.01$			SCALE: 1:1	WEIGHT:
THREE PLACE DECIMAL	$\pm 0.005$			SHEET 1 OF 1	
FOUR PLACE DECIMAL	$\pm 0.0005$				
MATERIAL		NAME	DATE	REV	
4140 STEEL		CHECKED		2	
FINISH		ENG APPR.			
DEBURR & ZINC PLATE		MFG APPR.			
DO NOT SCALE DRAWING		Q.A.			