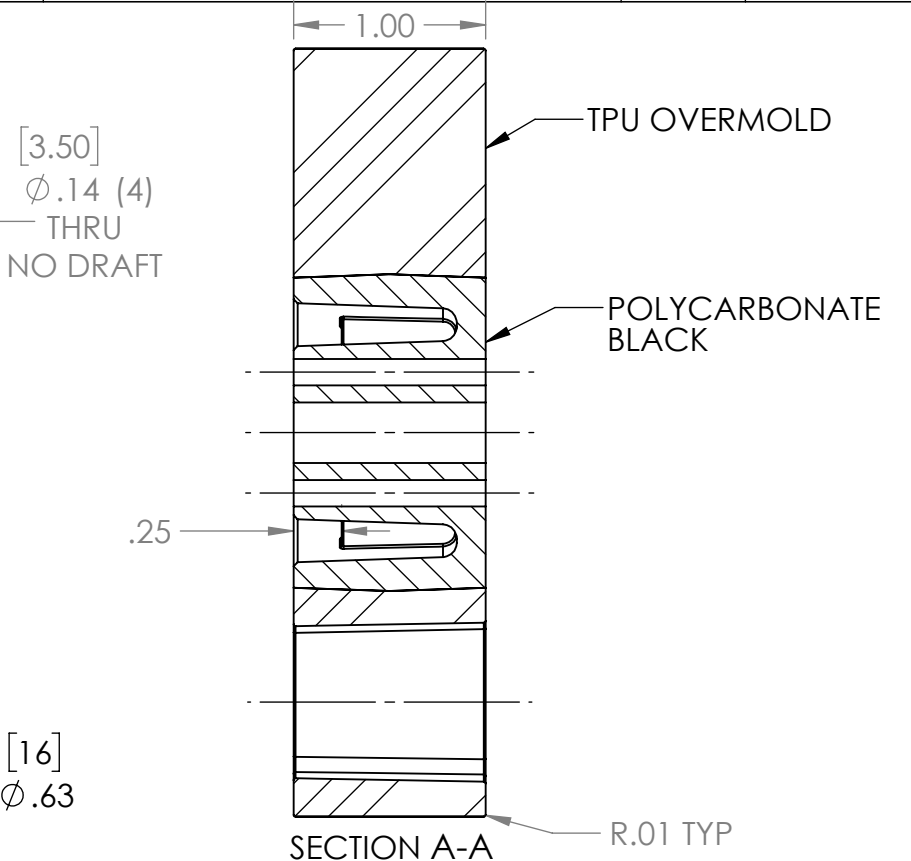
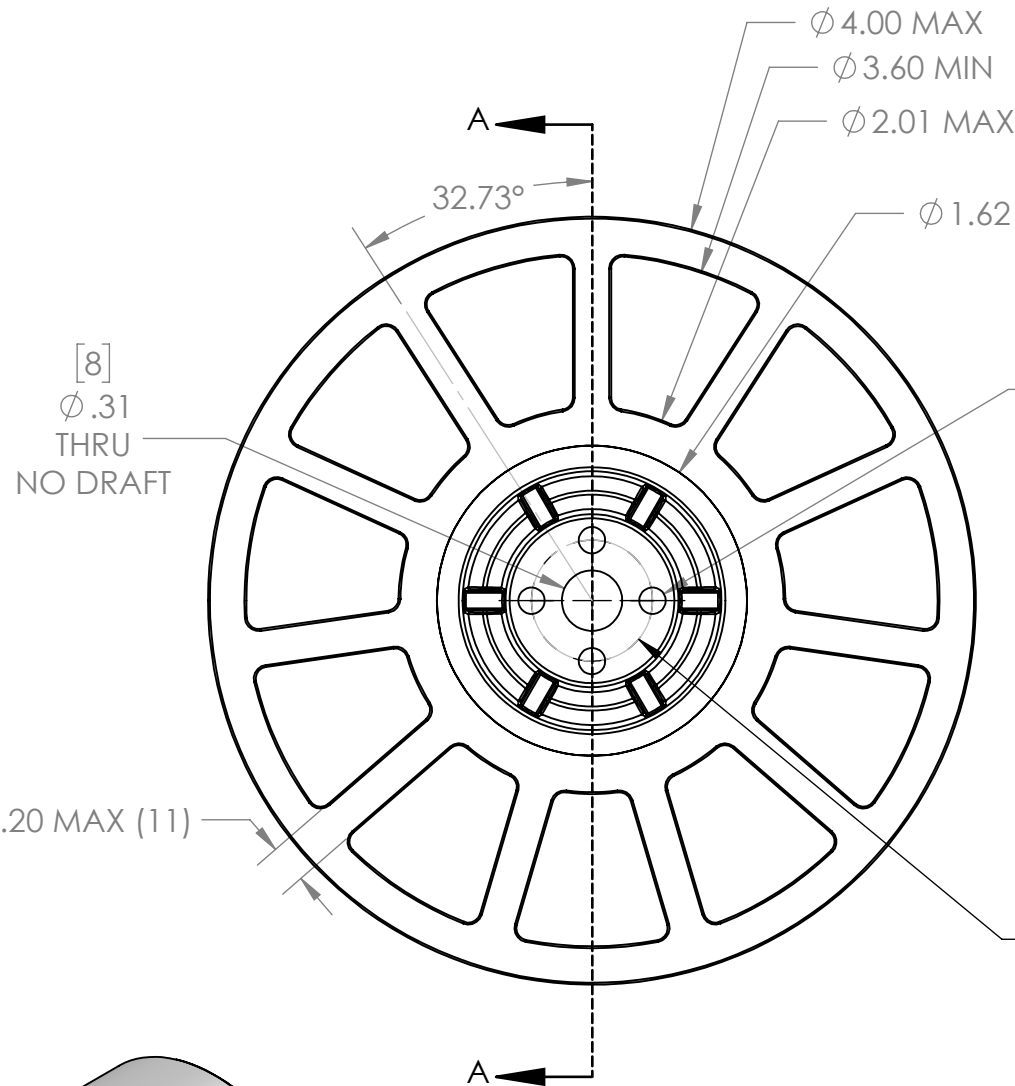
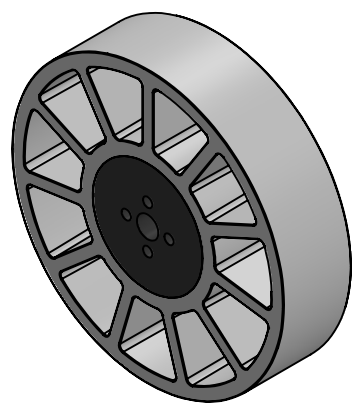


REVISION HISTORY			
REV.	DESCRIPTION	DATE	DRAWN BY
1	ORIGINAL PRINT	5/15/2017	J. ANG
2	UPDATED TO AMDS-1	5/14/2018	A. MILLS
3	REMOVED DUROMETER TABLE, ADDED ISO VIEW	9/4/2019	N. LAWRENCE
4	UPDATED DIMS	10/29/2019	K. KOLODZIEJ



*** SEE CAD FOR ADDITIONAL TOOLPATH INFO***



UNLESS OTHERWISE SPECIFIED:		COMMENTS:	
DIMENSIONS ARE IN INCHES		DUAL DIMENSIONS ARE IN MILLIMETERS.	
TOLERANCES:		BREAK ALL SHARP EDGES	
FRACTIONAL	$\pm 1/16$	2° DRAFT ON MOST SURFACES UNLESS OTHERWISE NOTED.	
ANGULAR: MACH	$\pm 1^\circ$		
ANGULAR: BEND	$\pm 5^\circ$		
ONE PLACE DECIMAL	± 0.1		
TWO PLACE DECIMAL	± 0.01		
THREE PLACE DECIMAL	± 0.005		
FOUR PLACE DECIMAL	± 0.0005		
MATERIAL	PC CORE TPU OVERMOLD	NAME	DATE
FINISH	DEBURRED	CHECKED	NL 10/29/19
		ENG APPR.	
		MFG APPR.	
		Q.A.	



TITLE:
**4IN 8MM BORE
 COMPLIANT WHEEL**

SIZE	DWG. NO.	REV
A	am-3563	4
SCALE: 1:1	WEIGHT:	SHEET 1 OF 1