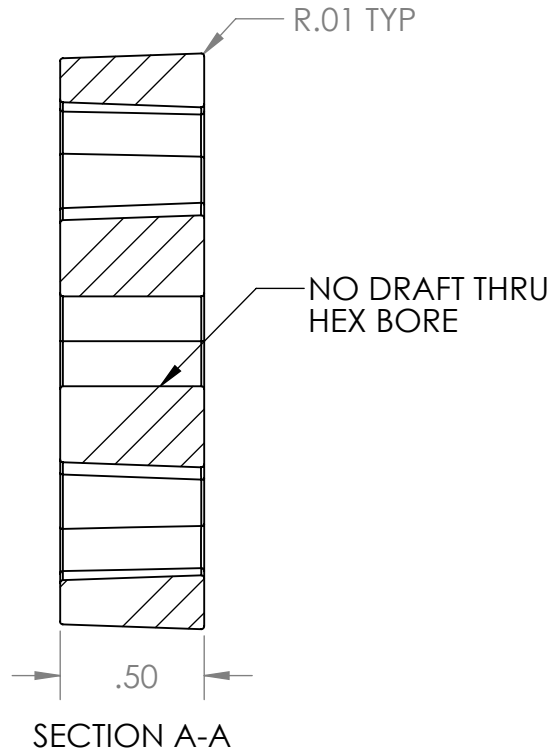
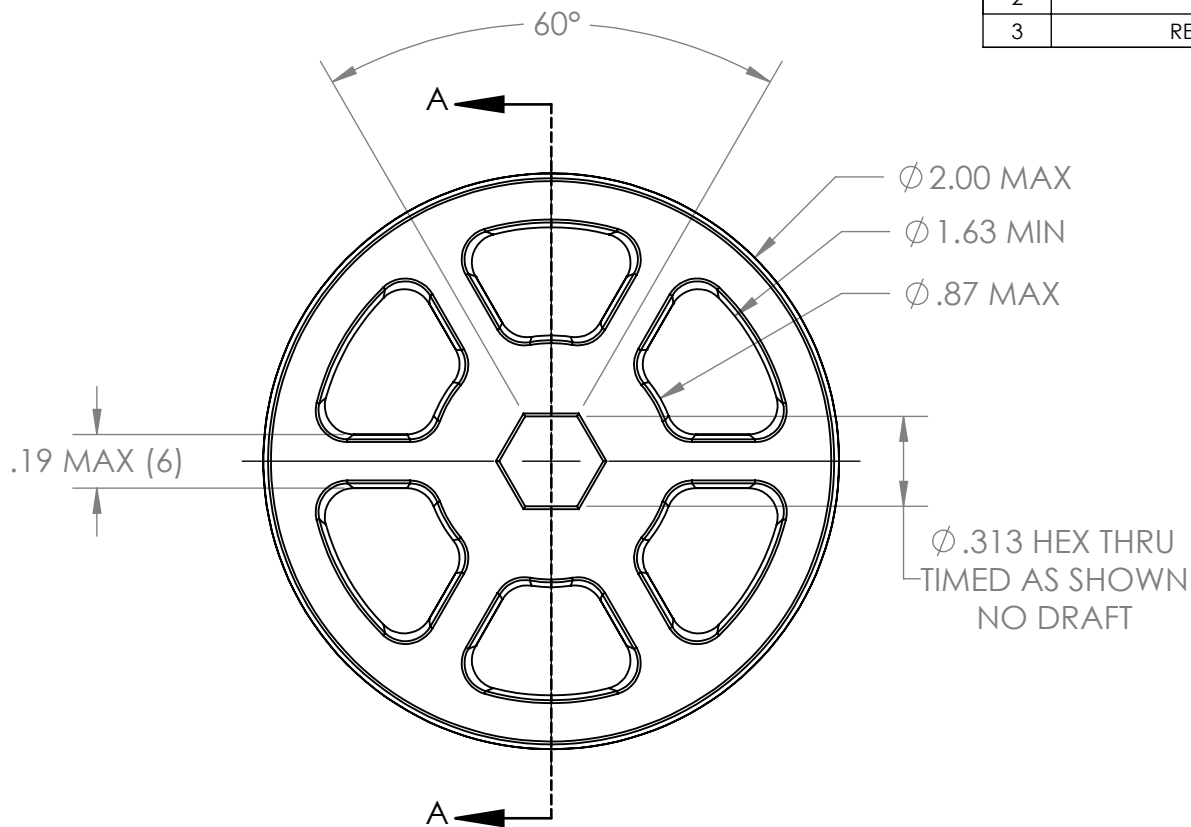
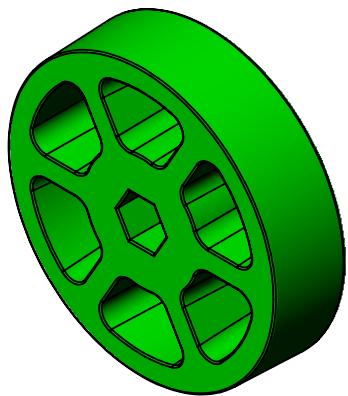



REVISION HISTORY			
REV.	DESCRIPTION	DATE	DRAWN BY
1	ORIGINAL PRINT	5/15/2017	J. ANG
2	UPDTAED TO AMDS-1	5/14/2018	A. MILLS
3	REMOVED TABLE, ADJUSTED DIMS	10/25/2019	K. KOLODZIEJ



*** SEE CAD FOR ADDITIONAL TOOLPATH INFO***



UNLESS OTHERWISE SPECIFIED:		COMMENTS:				
DIMENSIONS ARE IN INCHES		DUAL DIMENSIONS ARE IN MILLIMETERS.				
TOLERANCES:		BREAK ALL SHARP EDGES		TITLE:		
FRACTIONAL	±1/16	2° DRAFT APPLIED TO MOST SURFACES FOR MOLD RELEASE UNLESS OTHERWISE NOTED.		2IN 375IN HEX BORE COMPLIANT WHEEL		
ANGULAR: MACH	±1°					
ANGULAR: BEND	±5°					
ONE PLACE DECIMAL	±0.1					
TWO PLACE DECIMAL	±0.01					
THREE PLACE DECIMAL	±0.005	MATERIAL		SIZE	DWG. NO.	REV
FOUR PLACE DECIMAL	±0.0005	TPU		A	am-3571	3
FINISH		DO NOT SCALE DRAWING	Q.A.	SCALE: 3:2	WEIGHT:	SHEET 1 OF 1
DEBURRED						