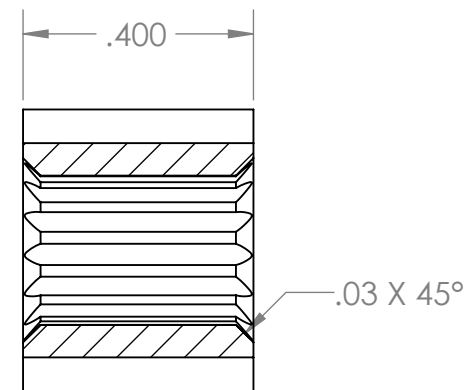
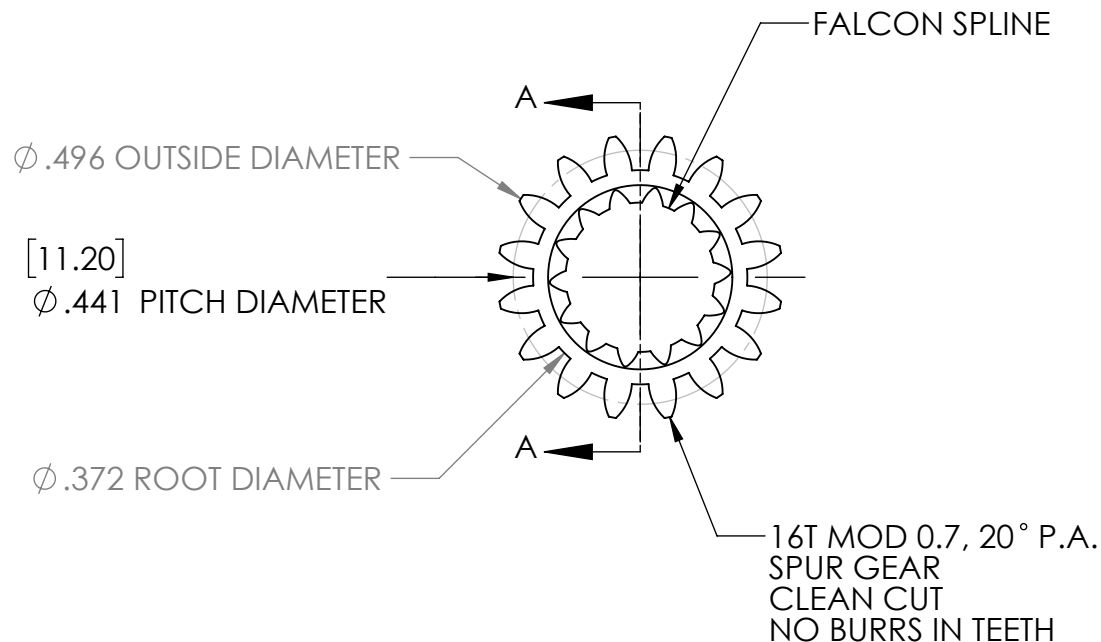
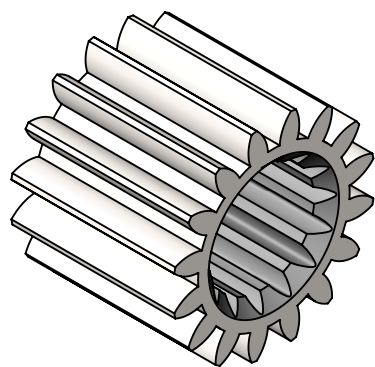



REVISION HISTORY			
REV.	DESCRIPTION	DATE	DRAWN BY
1	ORIGINAL PRINT	8/28/2019	N. MASSOUDA
2	UPDATED NOTES AND CHAMFERS	10/24/2019	N. MASSOUDA
3	ADDED GEAR DIAMETERS	10/31/2019	N. MASSOUDA



SECTION A-A



*** SEE CAD FOR ADDITIONAL TOOLPATH INFO***

UNLESS OTHERWISE SPECIFIED:		COMMENTS:		 TITLE: 16T MOD 0.7 GEAR SPLINE BORE FALCON 500 PINION			
DIMENSIONS ARE IN INCHES		DUAL DIMENSIONS ARE IN MILLIMETERS.					
TOLERANCES: FRACTIONAL ±1/16 ANGULAR: MACH ±1° ANGULAR: BEND ±5° ONE PLACE DECIMAL ±0.1 TWO PLACE DECIMAL ±0.01 THREE PLACE DECIMAL ±0.005 FOUR PLACE DECIMAL ±0.0005		BREAK ALL SHARP EDGES		SIZE	DWG. NO.	REV	
MATERIAL 4140 STEEL		CHECKED	NAME NL	DATE 10/24/19	A	am-4144	3
FINISH DEBURR & ZINC PLATE		ENG APPR.		SCALE: 3:1		WEIGHT:	SHEET 1 OF 1
DO NOT SCALE DRAWING		MFG APPR.					
		Q.A.					