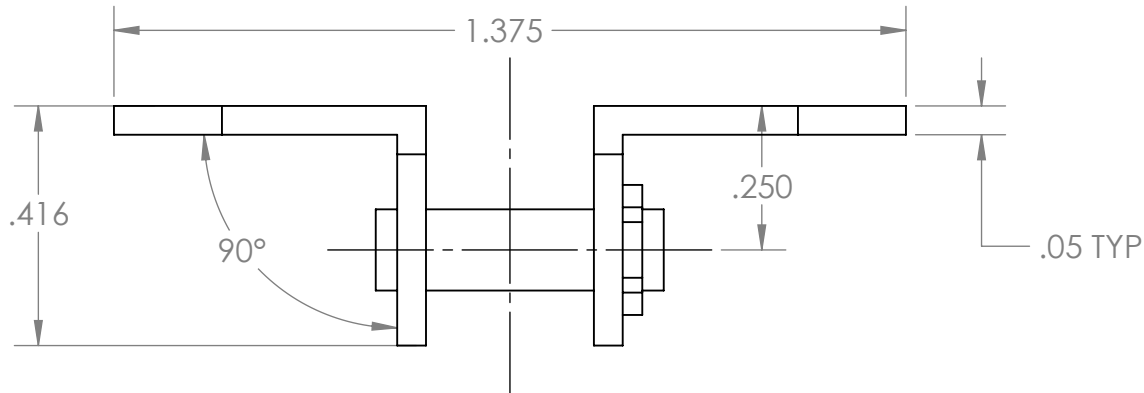
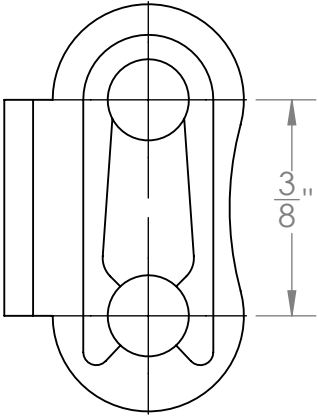
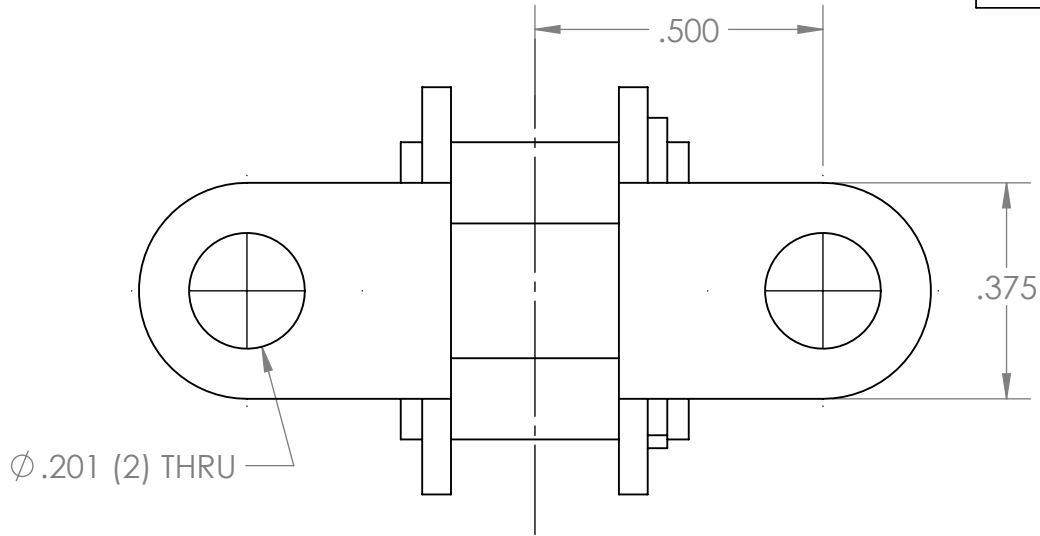
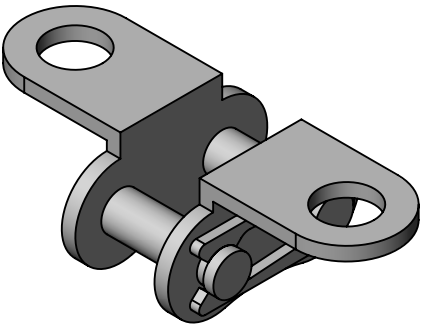



REVISION HISTORY			
REV.	DESCRIPTION	DATE	DRAWN BY
1	ORIGINAL PRINT	10/14/2019	N. MASSOUDA



*** SEE CAD FOR ADDITIONAL TOOLPATH INFO***



UNLESS OTHERWISE SPECIFIED:		COMMENTS:			
DIMENSIONS ARE IN INCHES		DUAL DIMENSIONS ARE IN MILLIMETERS.			
TOLERANCES:		BREAK ALL SHARP EDGES		TITLE:	
FRACTIONAL	±1/16			<h1>#35 CHAIN ATTACHMENT LINKS</h1>	
ANGULAR: MACH	±1°				
ANGULAR: BEND	±5°				
ONE PLACE DECIMAL	±0.1				
TWO PLACE DECIMAL	±0.01			SIZE	DWG. NO.
THREE PLACE DECIMAL	±0.005			A	am-4181_35
FOUR PLACE DECIMAL	±0.0005				REV
MATERIAL	STEEL	CHECKED	NAME	DATE	1
FINISH	DEBURRED, OILED	ENG APPR.	NL	10/15/19	
DO NOT SCALE DRAWING		MFG APPR.			
		Q.A.			