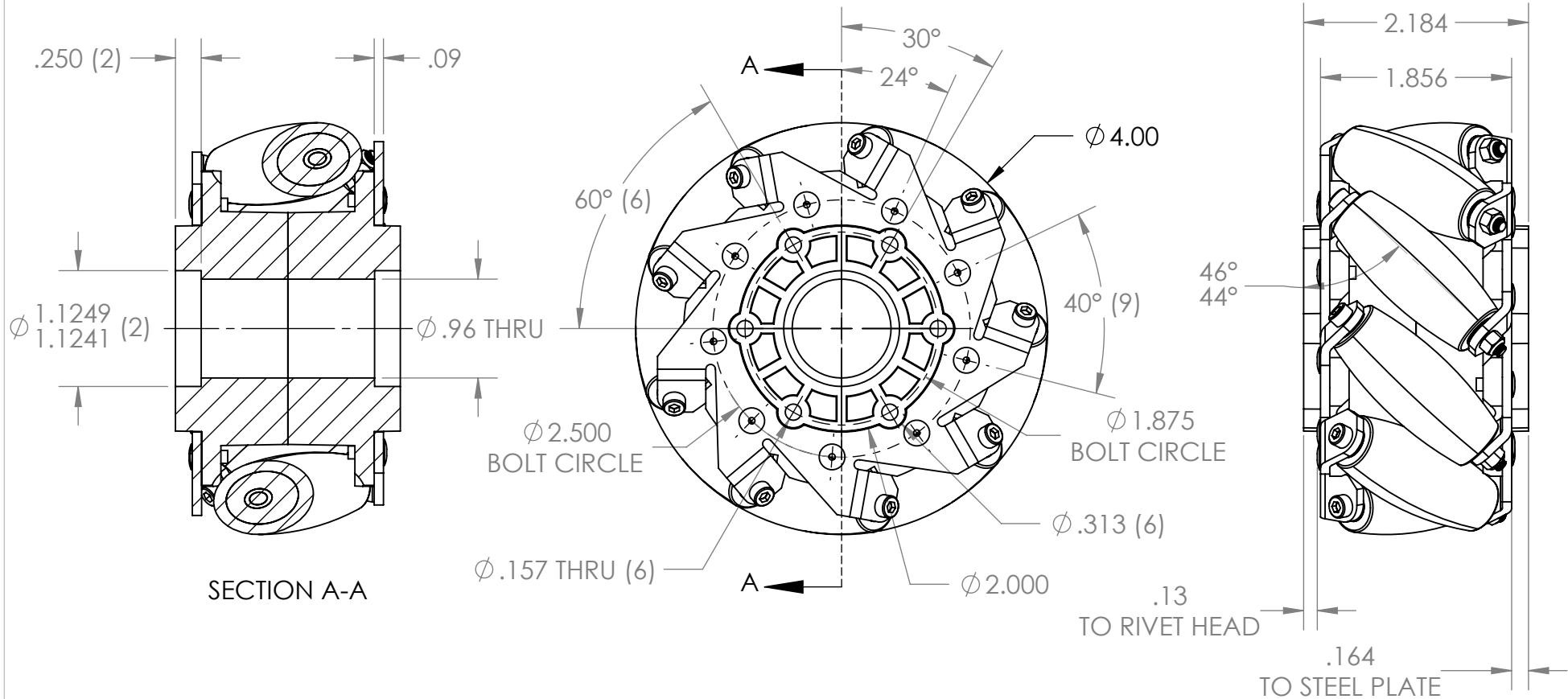
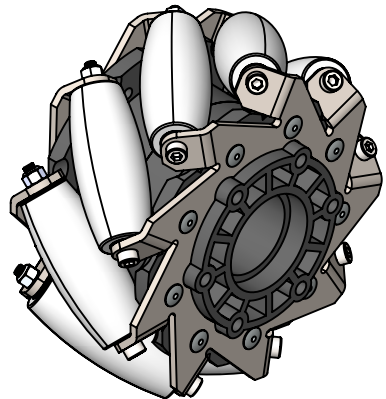



REVISION HISTORY			
REV.	DESCRIPTION	DATE	DRAWN BY
1	ORIGINAL PRINT	12/2014	A. BAKER
2	REDRAWN TO AMDS-1, CHANGED AXLES TO SCREWS	2/21/2020	N. LAWRENCE



*** SEE CAD FOR ADDITIONAL TOOLPATH INFO***



UNLESS OTHERWISE SPECIFIED:		COMMENTS:				
DIMENSIONS ARE IN INCHES		DUAL DIMENSIONS ARE IN MILLIMETERS.				
TOLERANCES:		BREAK ALL SHARP EDGES.		TITLE:		
FRACTIONAL	±1/16			4IN HD MECANUM		
ANGULAR: MACH	±1°			LEFT WHEEL		
ANGULAR: BEND	±5°			BEARING BORE		
ONE PLACE DECIMAL	±0.1			SIZE	DWG. NO.	REV
TWO PLACE DECIMAL	±0.01			A	am-3026L	2
THREE PLACE DECIMAL	±0.005			SCALE: 1:1.5 SHEET 1 OF 1		
FOUR PLACE DECIMAL	±0.0005					
MATERIAL	WHEEL	CHECKED	NAME	DATE		
FINISH	ASSEMBLED	ENG APPR.	KK	2/24/20		
DO NOT SCALE DRAWING		MFG APPR.				
		Q.A.				