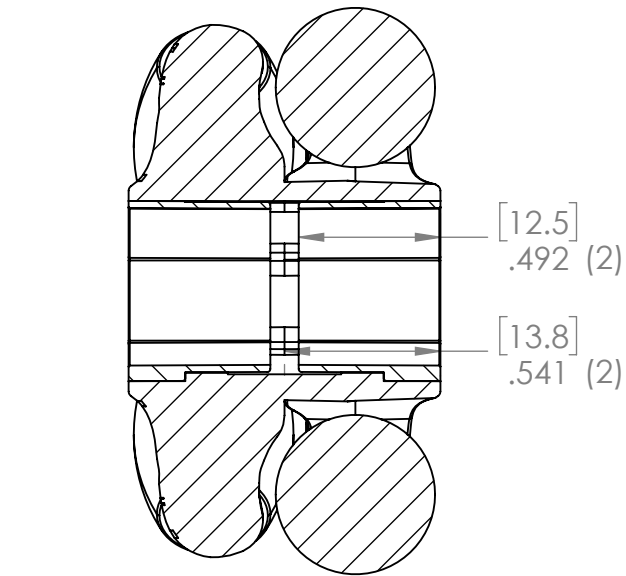
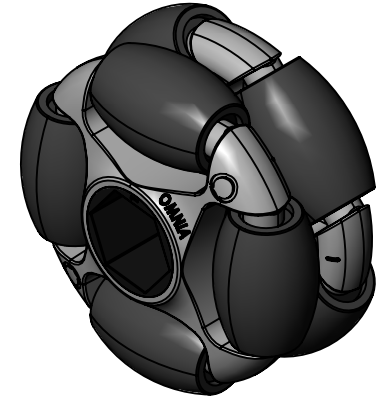
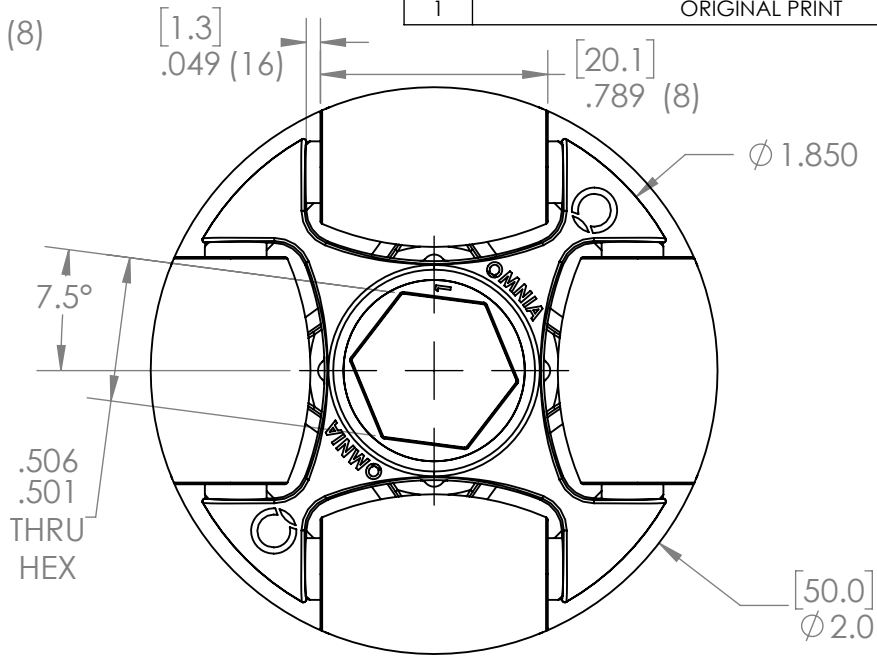
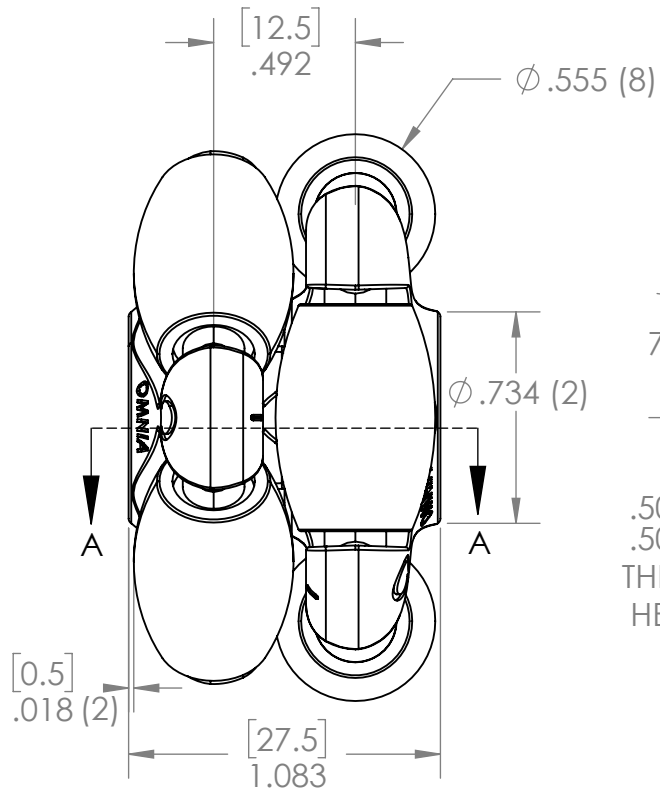


REVISION HISTORY			
REV.	DESCRIPTION	DATE	DRAWN BY
1	ORIGINAL PRINT	9/10/2018	N.MASSOUDA



SECTION A-A

DUROMETER VARIATIONS

TREAD COLOR	TREAD DUROMETER	TREAD MATERIAL	BODY MATERIAL	PART NUMBER
GREEN	35A	THERMOPLASTIC ELASTOMER	GLASS FILLED NYLON	am-3951
DARK GRAY	90A	POLYURETHANE	GLASS FILLED NYLON	am-3953

UNLESS OTHERWISE SPECIFIED:

COMMENTS:

DIMENSIONS ARE IN INCHES

DUAL DIMENSIONS ARE IN MILLIMETERS.

TOLERANCES:	
FRACTIONAL	±1/16
ANGULAR: MACH	±1°
ANGULAR: BEND	±5°
ONE PLACE DECIMAL	±0.1
TWO PLACE DECIMAL	±0.01
THREE PLACE DECIMAL	±0.005
FOUR PLACE DECIMAL	±0.0005

BREAK ALL SHARP EDGES



TITLE:

**2IN OMNI
500IN HEX**

MATERIAL SEE TABLE

NAME DATE

SIZE DWG. NO.

REV

FINISH DEBURRED

CHECKED
ENG APPR.
MFG APPR.

A

1

DO NOT SCALE DRAWING

Q.A.

SCALE: 1.5:1 WEIGHT:

SHEET 1 OF 1