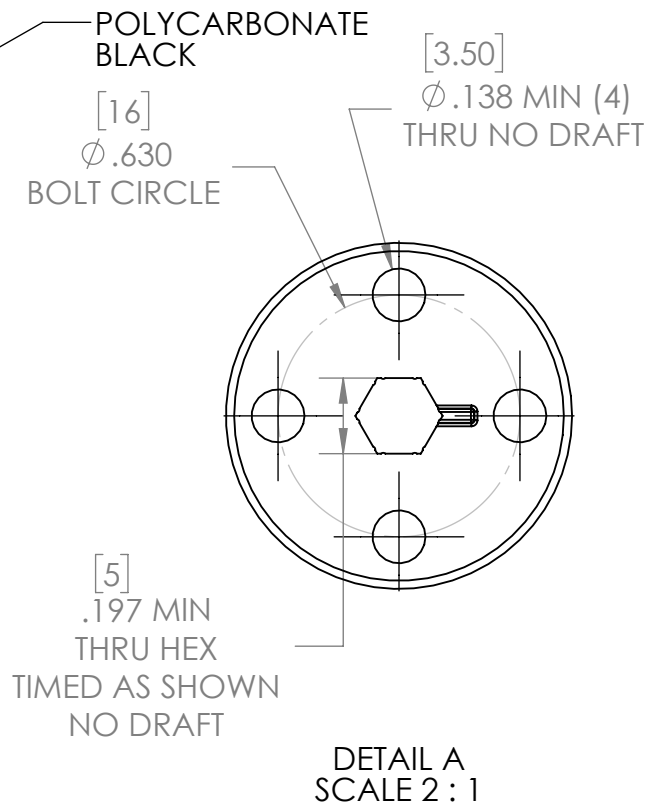
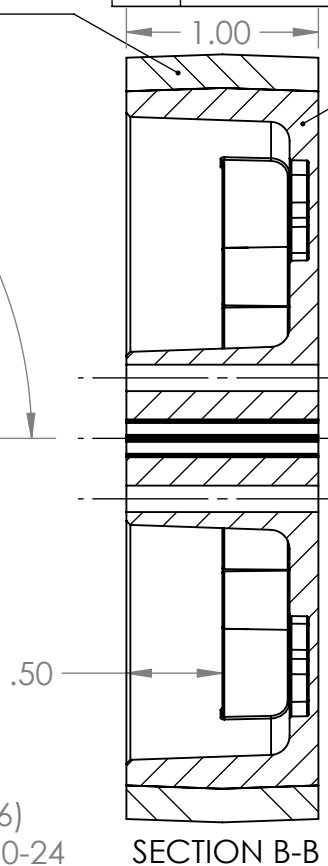
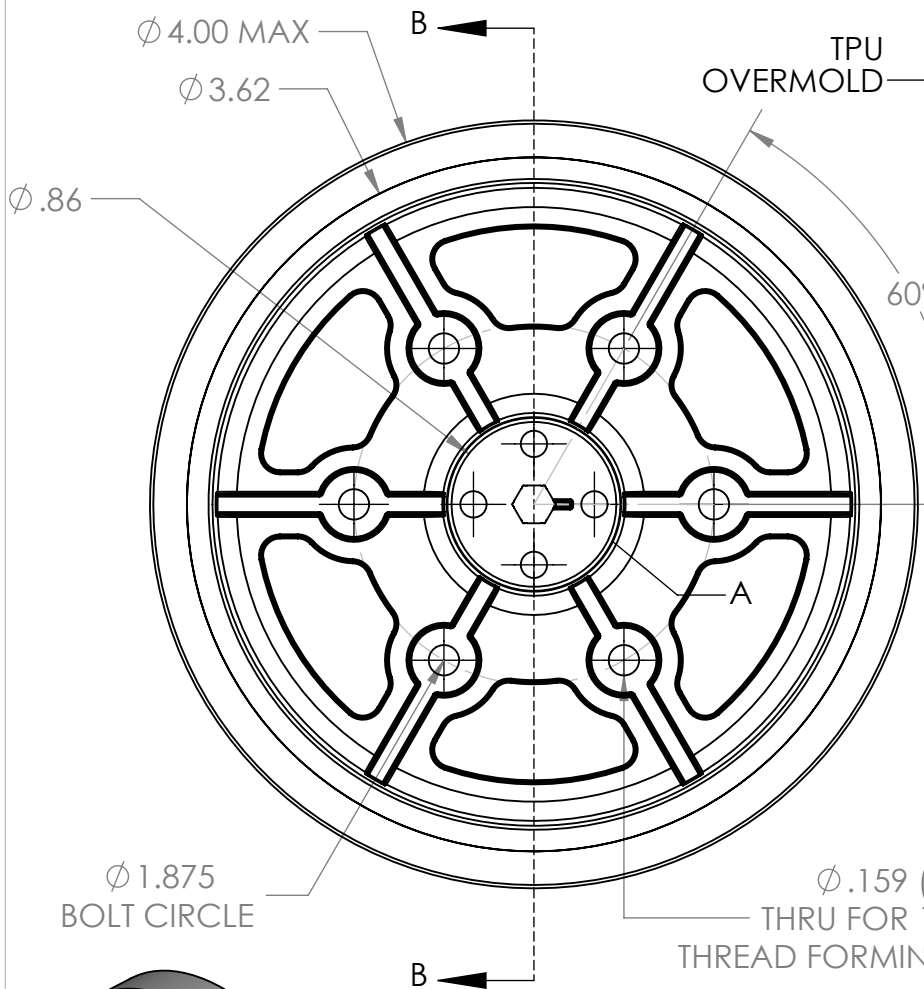
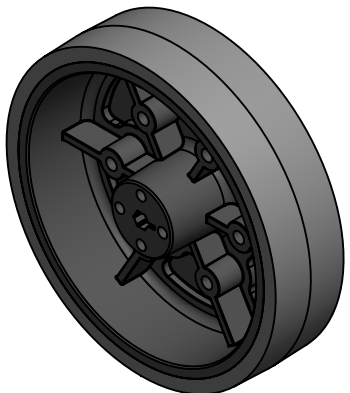


| REVISION HISTORY | | | |
|------------------|-------------------------------|------------|--------------|
| REV. | DESCRIPTION | DATE | DRAWN BY |
| 1 | ORIGINAL PRINT | 9/26/2017 | D. BLAU |
| 2 | DRAWN TO MEET AMDS-1 | 7/5/2018 | B. HODSON |
| 3 | REMOVED TABLE, ADDED ISO VIEW | 9/4/2019 | N. LAWRENCE |
| 4 | UPDATED DIMS | 10/29/2019 | K. KOLODZIEJ |



Ø .159 (6) THRU FOR 10-24 THREAD FORMING SCREWS

*** SEE CAD FOR ADDITIONAL TOOLPATH INFO***



| UNLESS OTHERWISE SPECIFIED: | | COMMENTS: | |
|---------------------------------|-------------------------|---|------------------|
| DIMENSIONS ARE IN INCHES | | DUAL DIMENSIONS ARE IN MILLIMETERS. | |
| TOLERANCES: | | BREAK ALL SHARP EDGES. | |
| FRACTIONAL | ±1/16 | 2° DRAFT APPLIED TO MOST SURFACES UNLESS OTHERWISE NOTED. | |
| ANGULAR: MACH | ±1° | | |
| ANGULAR: BEND | ±5° | | |
| ONE PLACE DECIMAL | ±0.1 | | |
| TWO PLACE DECIMAL | ±0.01 | | |
| THREE PLACE DECIMAL | ±0.005 | | |
| FOUR PLACE DECIMAL | ±0.0005 | | |
| MATERIAL | PC CORE TPU OVERMOLD | CHECKED | NAME NL |
| FINISH | DEBURRED | ENG APPR. | DATE 10/29/19 |
| | | MFG APPR. | |
| | | Q.A. | |



TITLE:
**4IN STEALTH WHEEL
5mm HEX BORE**

| SIZE | DWG. NO. | REV |
|------------|----------------|--------------|
| A | am-3665 | 4 |
| SCALE: 1:1 | | SHEET 1 OF 1 |