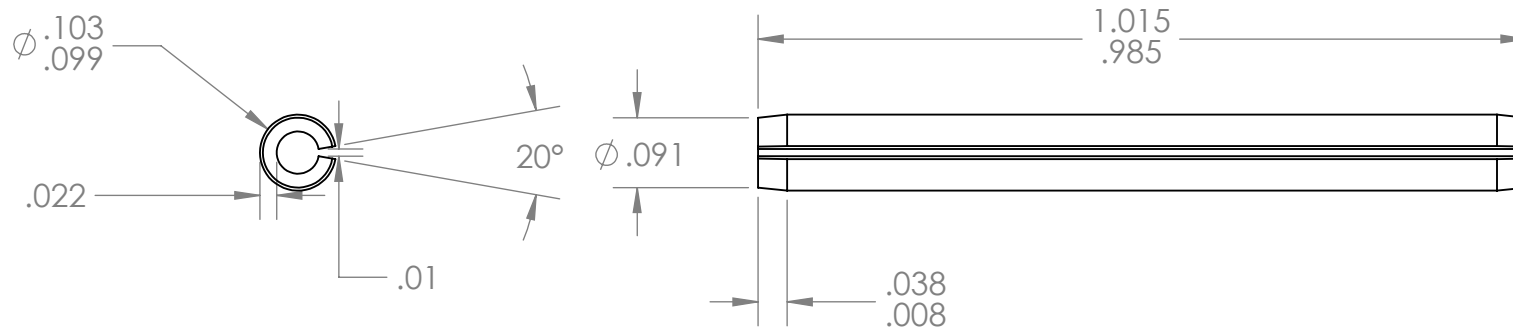



REVISION HISTORY			
REV.	DESCRIPTION	DATE	DRAWN BY
1	ORIGINAL PRINT	6/24/2014	R. BAKER
2	DRAWN TO MEET AMDS-1	7/3/2018	B. HODSON



*** SEE CAD FOR ADDITIONAL TOOLPATH INFO***

UNLESS OTHERWISE SPECIFIED:		COMMENTS:					
DIMENSIONS ARE IN INCHES		DUAL DIMENSIONS ARE IN MILLIMETERS.					
TOLERANCES: FRACTIONAL ±1/16 ANGULAR: MACH ±1° ANGULAR: BEND ±5° ONE PLACE DECIMAL ±0.1 TWO PLACE DECIMAL ±0.01 THREE PLACE DECIMAL ±0.005 FOUR PLACE DECIMAL ±0.0005		BREAK ALL SHARP EDGES		TITLE: 09375X1000IN COILED ROLL PIN			
MATERIAL SPRING STEEL		CHECKED	NAME NL	DATE 7/23/18	SIZE A	DWG. NO. am-1033	REV 2
FINISH ZINC PLATED		ENG APPR.		SCALE: 4:1		WEIGHT:	
DO NOT SCALE DRAWING		MFG APPR.		SHEET 1 OF 1			
Q.A.							