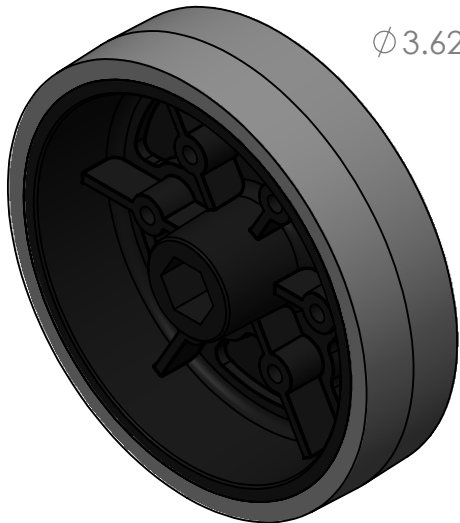
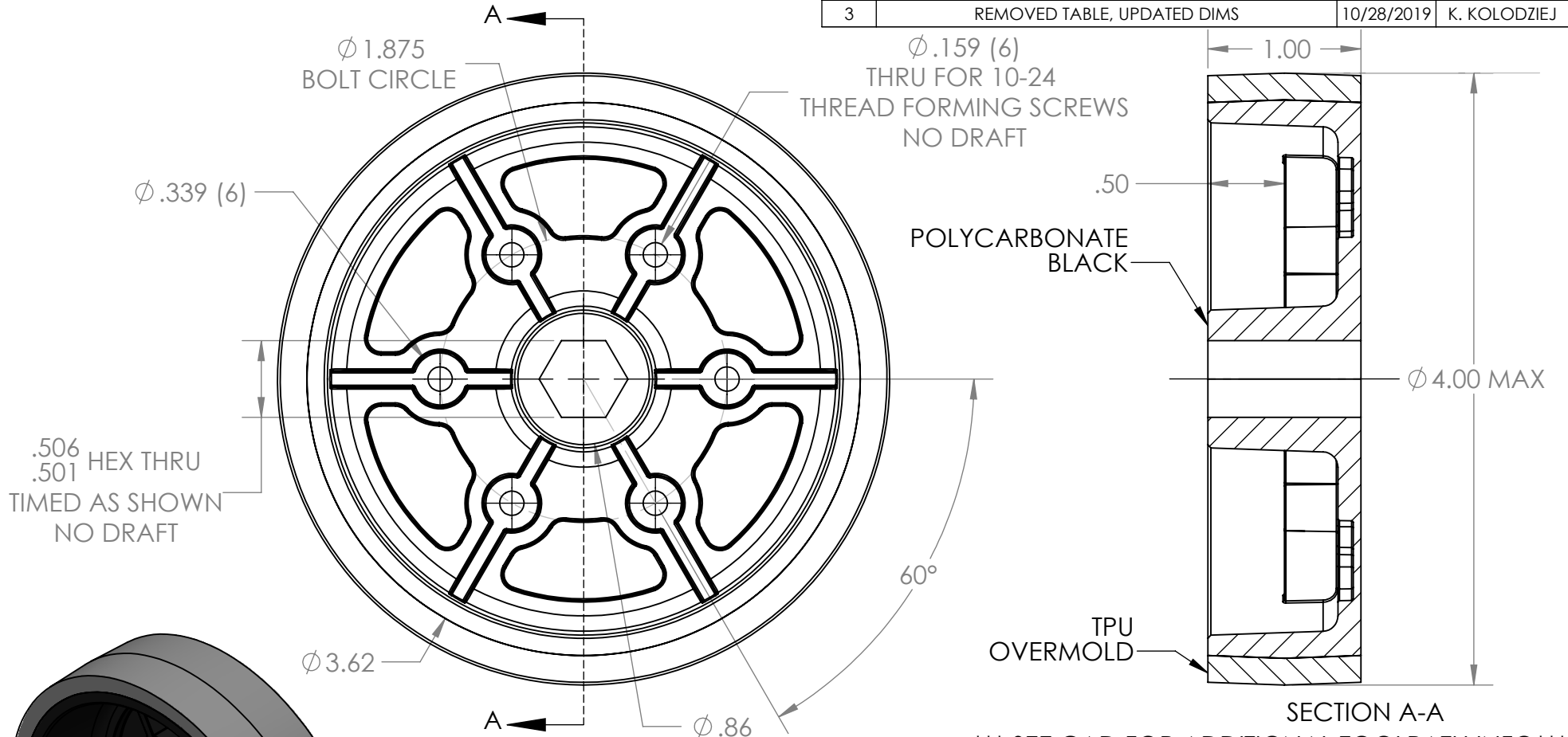


REVISION HISTORY			
REV.	DESCRIPTION	DATE	DRAWN BY
1	ORIGINAL PRINT	11/26/2013	D. BLAU
1.1	ADDED TABLE OF OTHER DUROMETERS	12/9/2015	N. LAWRENCE
2	DRAWN TO MEET AMDS-1	5/29/2018	A. SHORES
3	REMOVED TABLE, UPDATED DIMS	10/28/2019	K. KOLODZIEJ



UNLESS OTHERWISE SPECIFIED:		COMMENTS:	
DIMENSIONS ARE IN INCHES		DUAL DIMENSIONS ARE IN MILLIMETERS.	
TOLERANCES:		BREAK ALL SHARP EDGES	
FRACTIONAL	$\pm 1/16$	2° DRAFT APPLIED TO MOST SURFACES UNLESS OTHERWISE NOTED.	
ANGULAR: MACH	$\pm 1^\circ$	CHECKED	NAME NL
ANGULAR: BEND	$\pm 5^\circ$	DATE	10/29/19
ONE PLACE DECIMAL	± 0.1	ENG APPR.	
TWO PLACE DECIMAL	± 0.01	MFG APPR.	
THREE PLACE DECIMAL	± 0.005	Q.A.	
FOUR PLACE DECIMAL	± 0.0005		
MATERIAL	PC CORE		
	TPU OVERMOLD		
FINISH	DEBURRED		
DO NOT SCALE DRAWING			



TITLE:
**4IN 500IN HEX BORE
 STEALTH WHEEL**

SIZE	DWG. NO.	REV
A	am-2647	3

SCALE: 1:1 WEIGHT: SHEET 1 OF 1