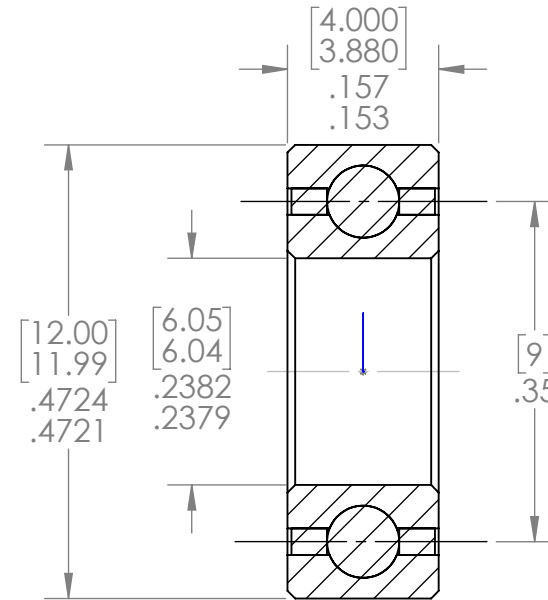
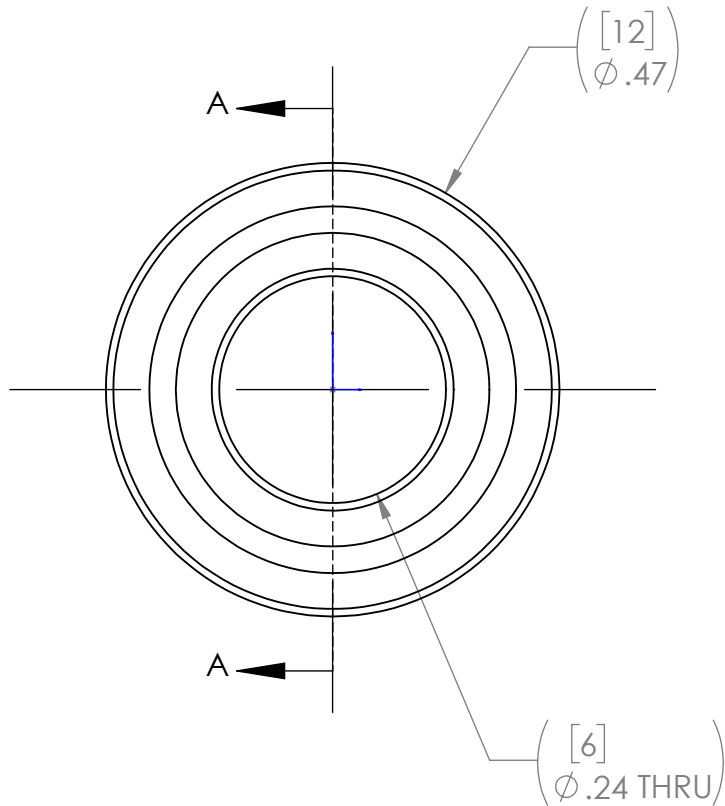



REVISION HISTORY			
REV.	DESCRIPTION	DATE	DRAWN BY
1	ORIGINAL PRINT	5/30/2017	B. HODSON
2	DRAWN TO MEET AMDS-1	5/14/2018	B. HODSON



SECTION A-A

\*\*\* SEE CAD FOR ADDITIONAL TOOLPATH INFO\*\*\*

UNLESS OTHERWISE SPECIFIED:		COMMENTS:					
<b>DIMENSIONS ARE IN INCHES</b>		DUAL DIMENSIONS ARE IN MILLIMETERS.					TITLE: <b>6X12X4mm SINGLE ROW DOUBLE SHIELDED BALL BEARING</b>
TOLERANCES:		BREAK ALL SHARP EDGES		SIZE <b>A</b>	DWG. NO. <b>am-3604</b>	REV <b>2</b>	
FRACTIONAL	±1/16						
ANGULAR: MACH	±1°			SCALE: 5:1 WEIGHT: SHEET 1 OF 1			
ANGULAR: BEND	±5°						
ONE PLACE DECIMAL	±0.1						
TWO PLACE DECIMAL	±0.01						
THREE PLACE DECIMAL	±0.005						
FOUR PLACE DECIMAL	±0.0005						
MATERIAL		NAME	DATE				
FINISH		CHECKED	NL	6/12/18			
		ENG APPR.					
		MFG APPR.					
		Q.A.					