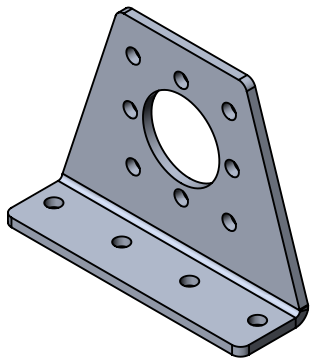
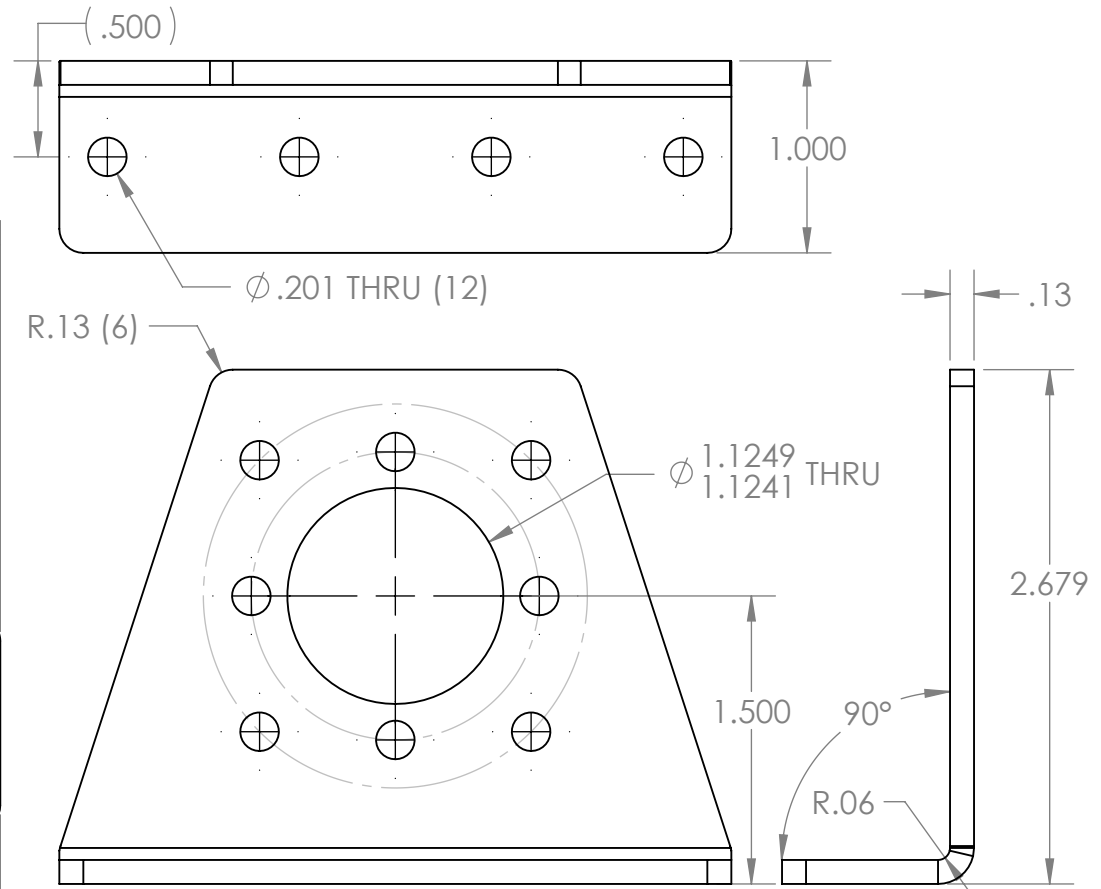
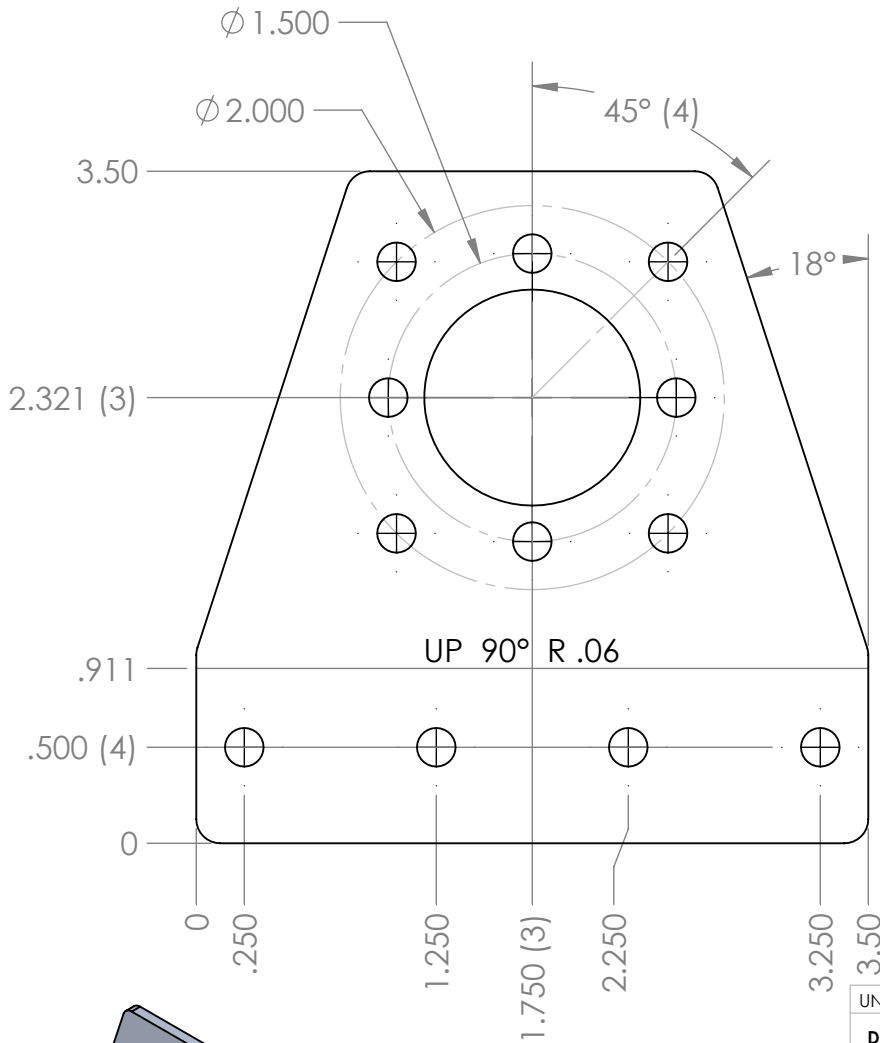



REVISION HISTORY			
REV.	DESCRIPTION	DATE	DRAWN BY
1	ORIGINAL PRINT	1/29/2020	N. MASSOUDA
2	FIXED MATERIAL CALLOUT	2/19/2020	N. MASSOUDA



*** SEE CAD FOR ADDITIONAL TOOLPATH INFO***

UNLESS OTHERWISE SPECIFIED:		COMMENTS:				
DIMENSIONS ARE IN INCHES		DUAL DIMENSIONS ARE IN MILLIMETERS.				
TOLERANCES:		BREAK ALL SHARP EDGES		1IN PITCH BENT MOTOR AND BEARING BRACKET		
FRACTIONAL	±1/16			SIZE	DWG. NO.	REV
ANGULAR: MACH	±1°			A	am-4244	2
ANGULAR: BEND	±5°			SCALE: 1:1 WEIGHT: SHEET 1 OF 1		
ONE PLACE DECIMAL	±0.1					
TWO PLACE DECIMAL	±0.01					
THREE PLACE DECIMAL	±0.005					
FOUR PLACE DECIMAL	±0.0005					
MATERIAL	AL5052	CHECKED	NAME	DATE		
FINISH	TUMBLER	ENG APPR.				
		MFG APPR.				
	DO NOT SCALE DRAWING	Q.A.				