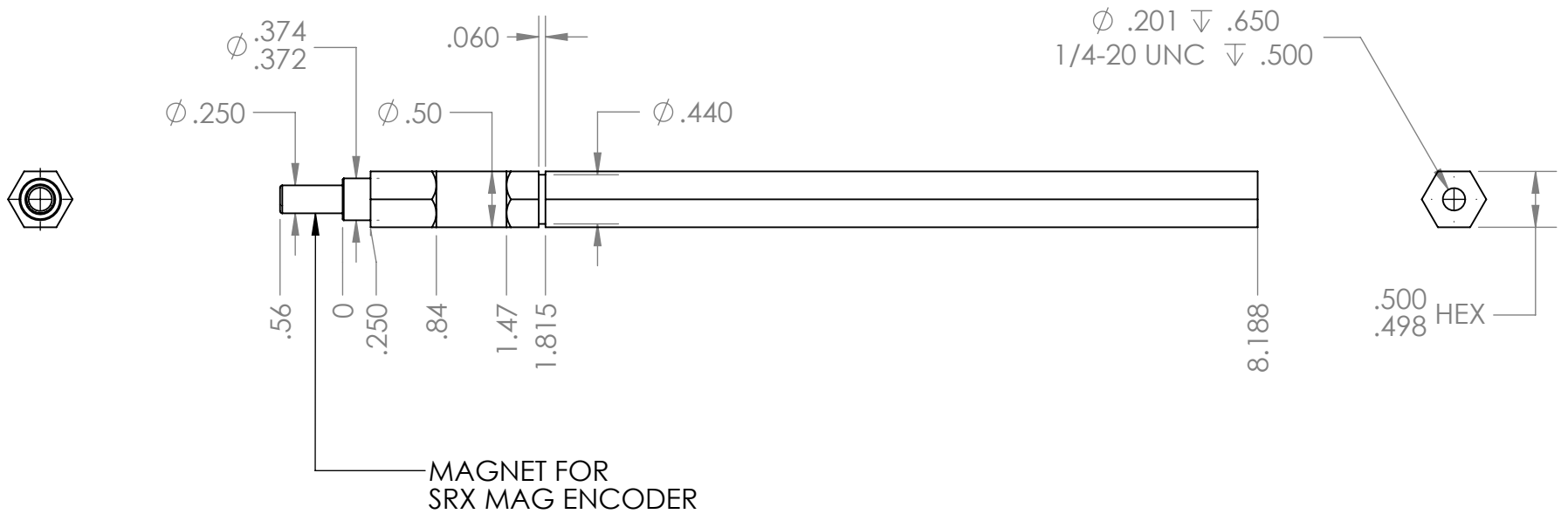
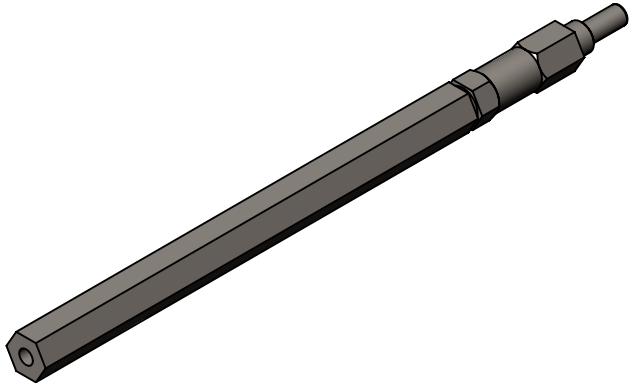



REVISION HISTORY			
REV.	DESCRIPTION	DATE	DRAWN BY
1	ORIGINAL PRINT	3/16/2020	N. LAWRENCE



*** SEE CAD FOR ADDITIONAL TOOLPATH INFO***



UNLESS OTHERWISE SPECIFIED:		COMMENTS:			
DIMENSIONS ARE IN INCHES		DUAL DIMENSIONS ARE IN MILLIMETERS.			
TOLERANCES:		BREAK ALL SHARP EDGES.		TITLE:	
FRACTIONAL	±1/16			3 STAGE EVO SHIFTER LJ BEVEL BOX LONG HEX OUTPUT	
ANGULAR: MACH	±1°				
ANGULAR: BEND	±5°				
ONE PLACE DECIMAL	±0.1				
TWO PLACE DECIMAL	±0.01	MATERIAL		SIZE	DWG. NO.
THREE PLACE DECIMAL	±0.005	4140 STEEL		A	am-3523a
FOUR PLACE DECIMAL	±0.0005	FINISH		REV	
MATERIAL		ZINC PLATED		1	
FINISH		DO NOT SCALE DRAWING		SCALE: 1:1.5	
DO NOT SCALE DRAWING		Q.A.		SHEET 1 OF 1	