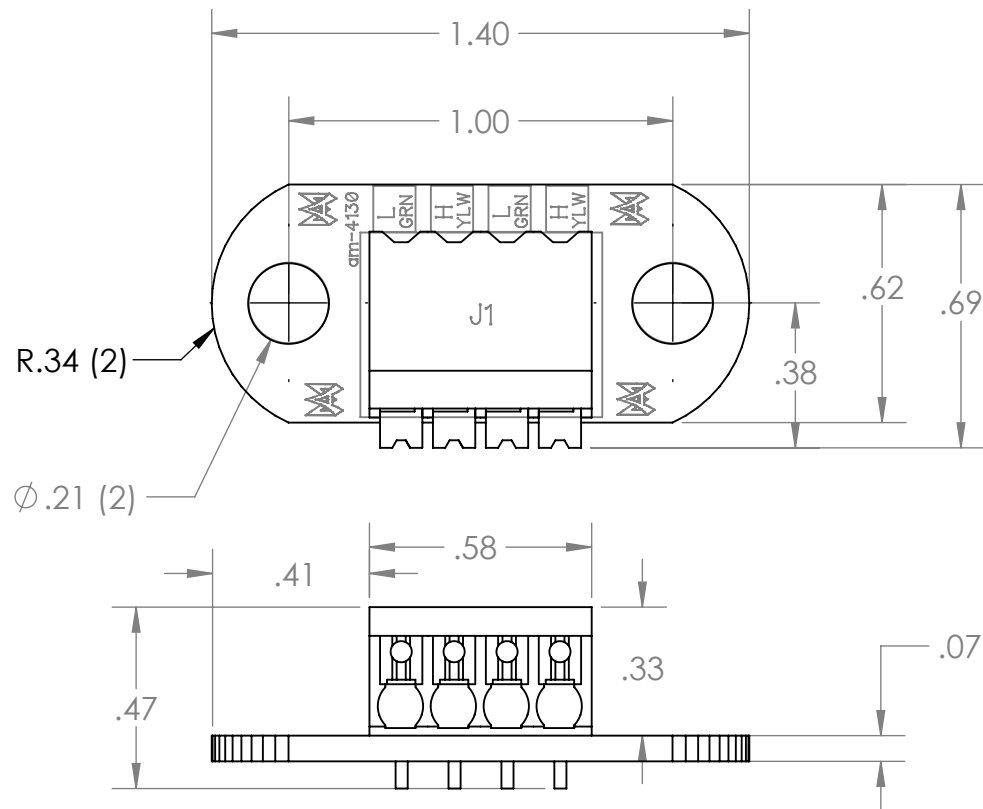
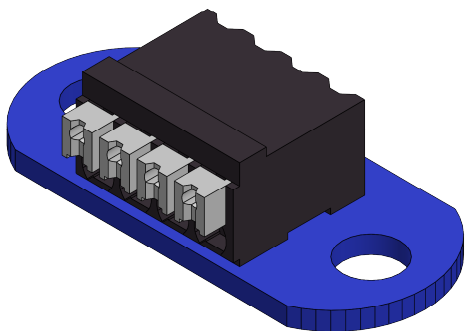



REVISION HISTORY			
REV.	DESCRIPTION	DATE	DRAWN BY
1	ORIGINAL PRINT	10/29/2019	N. MASSOUDA



\*\*\* SEE CAD FOR ADDITIONAL TOOLPATH INFO\*\*\*



UNLESS OTHERWISE SPECIFIED:		COMMENTS:				
<b>DIMENSIONS ARE IN INCHES</b>		DUAL DIMENSIONS ARE IN MILLIMETERS.				
TOLERANCES:		BREAK ALL SHARP EDGES		CAN CONNECTOR		
FRACTIONAL	±1/16			SIZE	DWG. NO.	REV
ANGULAR: MACH	±1°			<b>A</b>	am-4130	1
ANGULAR: BEND	±5°			SCALE: 2:1 WEIGHT: SHEET 1 OF 1		
ONE PLACE DECIMAL	±0.1					
TWO PLACE DECIMAL	±0.01					
THREE PLACE DECIMAL	±0.005					
FOUR PLACE DECIMAL	±0.0005					
MATERIAL	PCB	CHECKED	NAME	DATE		
FINISH	BLUE	ENG APPR.	KK	10/30/19		
DO NOT SCALE DRAWING		MFG APPR.				
		Q.A.				