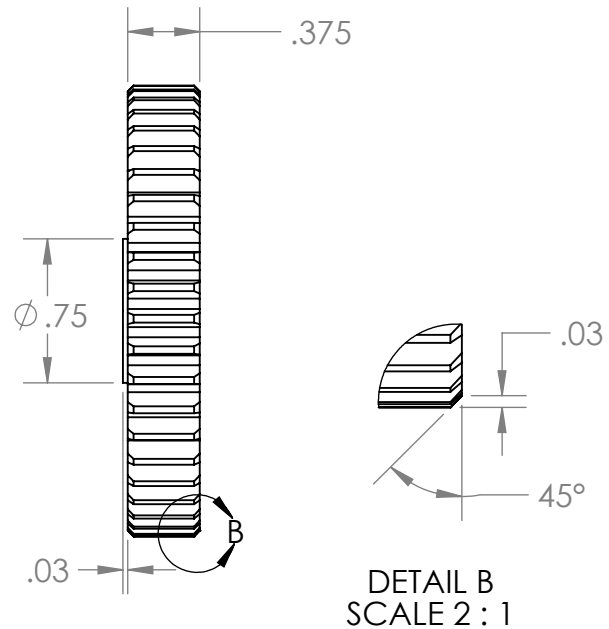
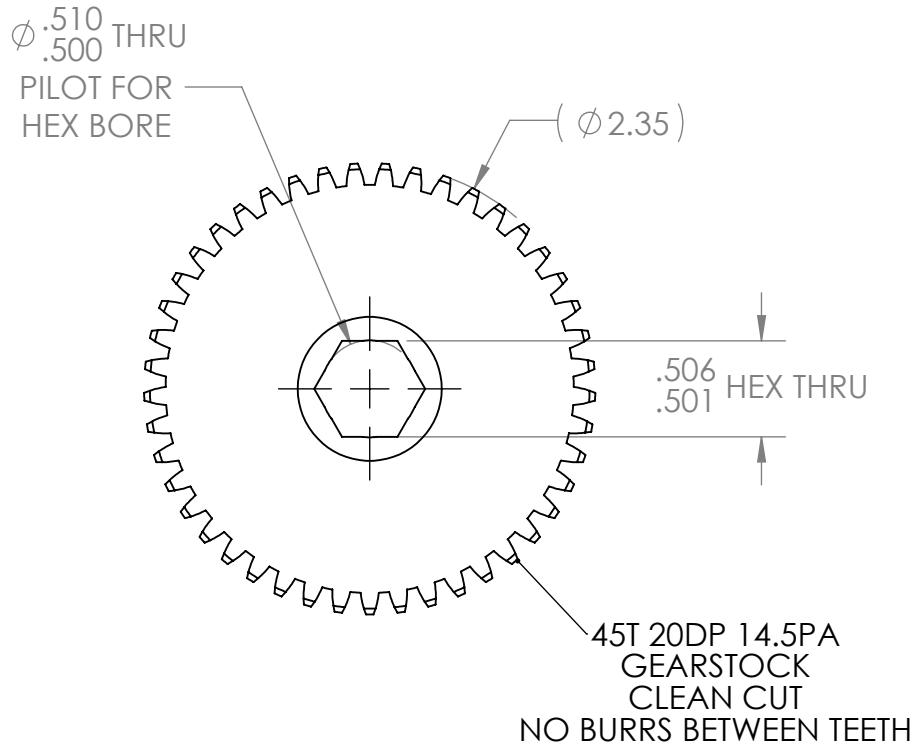
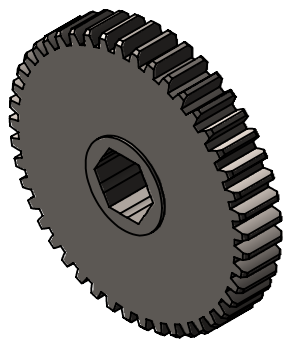



REVISION HISTORY			
REV.	DESCRIPTION	DATE	DRAWN BY
1	ORIGINAL PRINT		A. BAKER
2	UPDATED TO AMDS-1	6/15/2018	A. MILLS



\*\*\* SEE CAD FOR ADDITIONAL TOOLPATH INFO\*\*\*



UNLESS OTHERWISE SPECIFIED:		COMMENTS:					
<b>DIMENSIONS ARE IN INCHES</b>		DUAL DIMENSIONS ARE IN MILLIMETERS.					
TOLERANCES: FRACTIONAL $\pm 1/16$ ANGULAR: MACH $\pm 1^\circ$ ANGULAR: BEND $\pm 5^\circ$ ONE PLACE DECIMAL $\pm 0.1$ TWO PLACE DECIMAL $\pm 0.01$ THREE PLACE DECIMAL $\pm 0.005$ FOUR PLACE DECIMAL $\pm 0.0005$		BREAK ALL SHARP EDGES		TITLE: 45T 20DP 14.5PA 500IN HEX BORE GEAR			
MATERIAL 4140 STEEL		CHECKED	NAME NL	DATE 6/22/18	SIZE <b>A</b>	DWG. NO. am-0179	REV 2
FINISH ZINC PLATED		MFG APPR.		SCALE: 1:1		WEIGHT:	SHEET 1 OF 1
DO NOT SCALE DRAWING		Q.A.					