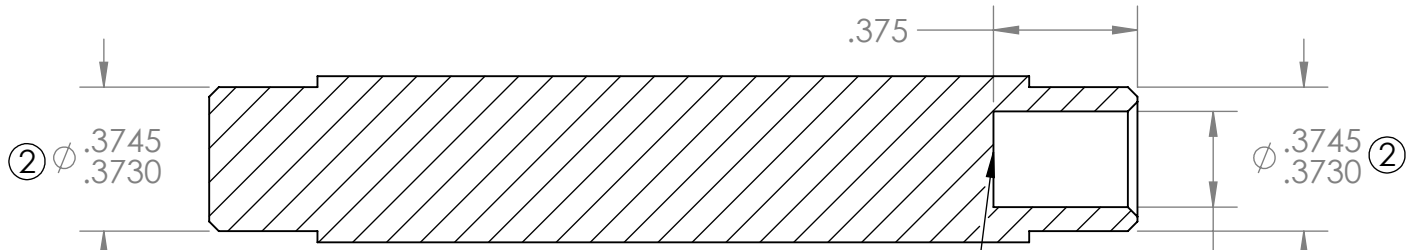
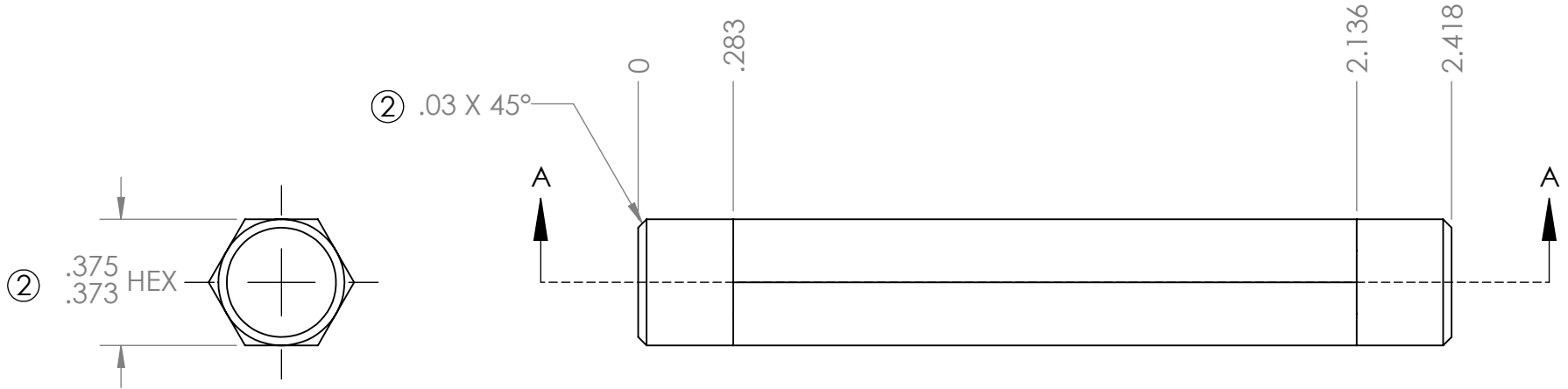


REVISION HISTORY			
REV.	DESCRIPTION	DATE	DRAWN BY
1	ORIGINAL PRINT	11/18/2014	D. BLAU
2	DRAWN TO MEET AMDS-1, TOLERANCES UPDATED	7/3/2018	A. SHORES

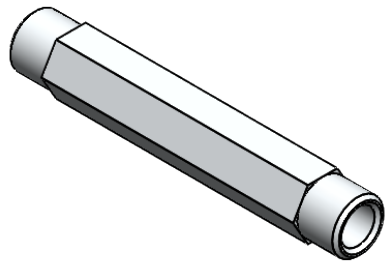


SECTION A-A

② FLAT BOTTOM NOT REQUIRED

PRESS FIT FOR 1/4IN DOWEL PIN

\*\*\* SEE CAD FOR ADDITIONAL TOOLPATH INFO\*\*\*



UNLESS OTHERWISE SPECIFIED:		COMMENTS:	
<b>DIMENSIONS ARE IN INCHES</b>		DUAL DIMENSIONS ARE IN MILLIMETERS.	
TOLERANCES:		BREAK ALL SHARP EDGES	
FRACTIONAL	±1/16		
ANGULAR: MACH	±1°		
ANGULAR: BEND	±5°		
ONE PLACE DECIMAL	±0.1		
TWO PLACE DECIMAL	±0.01		
THREE PLACE DECIMAL	±0.005		
FOUR PLACE DECIMAL	±0.0005		
MATERIAL	1018 STEEL	NAME	DATE
FINISH	ZINC PLATED	CHECKED	
		ENG APPR.	
		MFG APPR.	
DO NOT SCALE DRAWING		Q.A.	



TITLE:  
**SONIC SHIFTER  
CLUSTER SHAFT**

SIZE DWG. NO. REV  
**A** am-0536a **2**

SCALE: 2:1 WEIGHT: SHEET 1 OF 1