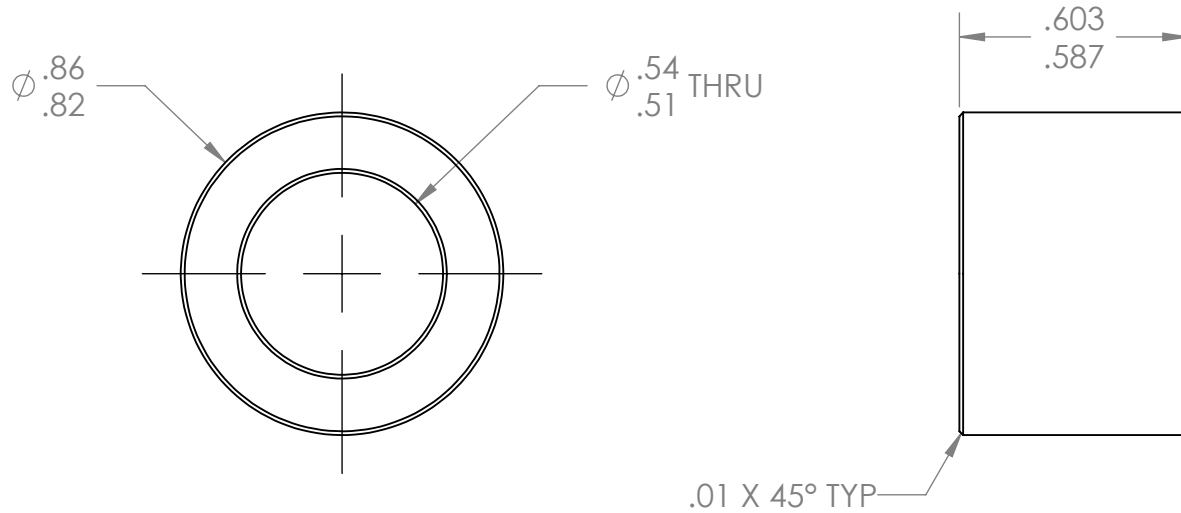
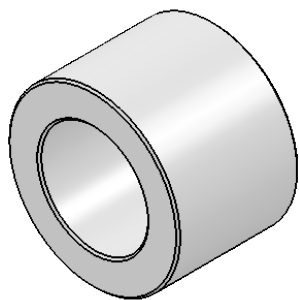



REVISION HISTORY			
REV.	DESCRIPTION	DATE	DRAWN BY
1	ORIGINAL PRINT	7/5/2011	A. BAKER
2	DRAWN TO MEET AMDS-1	6/6/2018	A. SHORES



*** SEE CAD FOR ADDITIONAL TOOLPATH INFO***



UNLESS OTHERWISE SPECIFIED:		COMMENTS:					
DIMENSIONS ARE IN INCHES		DUAL DIMENSIONS ARE IN MILLIMETERS.					TITLE:
TOLERANCES: FRACTIONAL ±1/16 ANGULAR: MACH ±1° ANGULAR: BEND ±5° ONE PLACE DECIMAL ±0.1 TWO PLACE DECIMAL ±0.01 THREE PLACE DECIMAL ±0.005 FOUR PLACE DECIMAL ±0.0005		BREAK ALL SHARP EDGES		500 X 840 X 595IN SPACER			
MATERIAL PVC		CHECKED	NAME NL	DATE 6/25/18	SIZE A	DWG. NO. am-0763	REV 2
FINISH DEBURRED		ENG APPR.		MFG APPR.		SCALE: 2:1 WEIGHT: SHEET 1 OF 1	
DO NOT SCALE DRAWING		Q.A.					