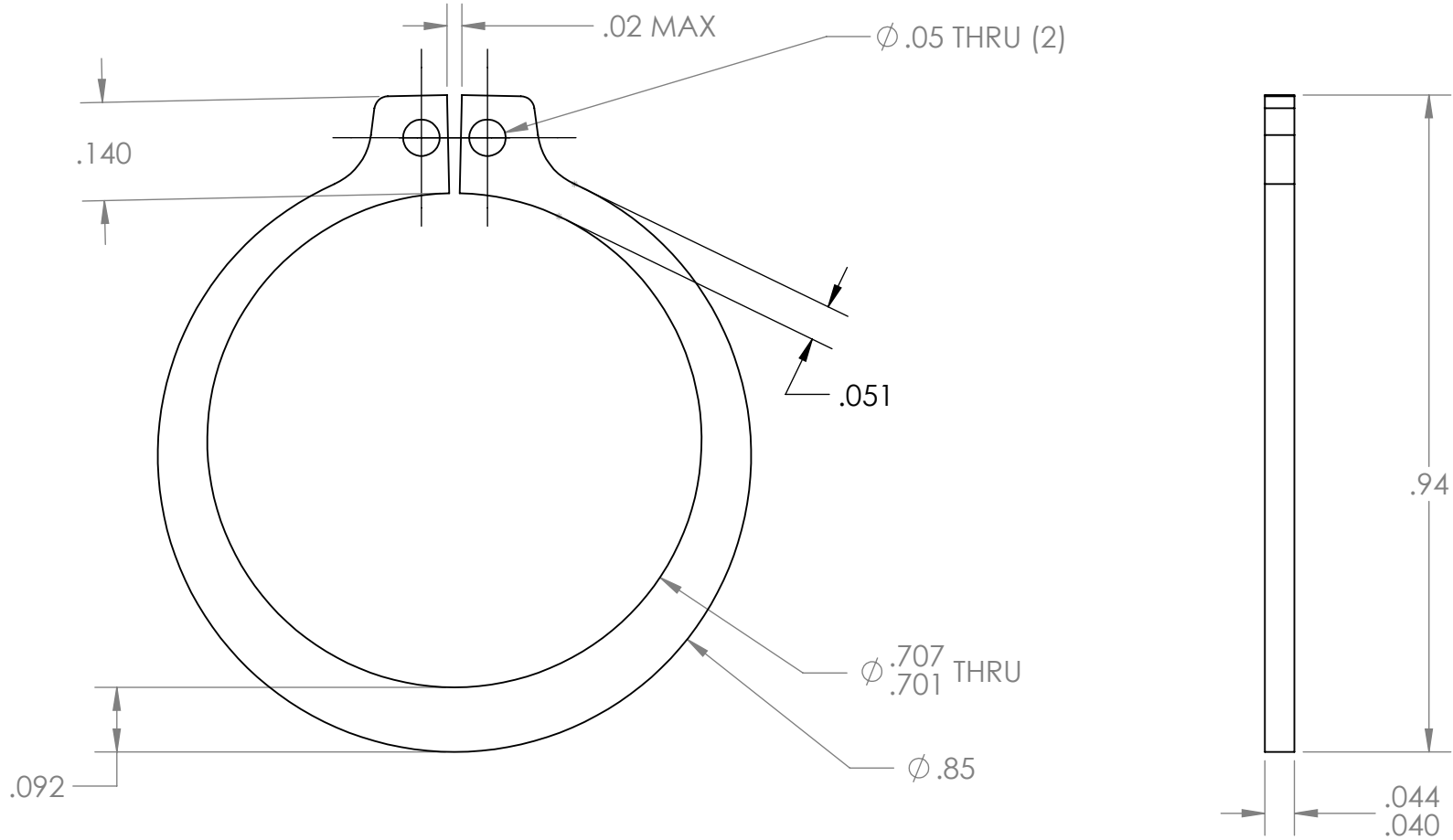



REVISION HISTORY			
REV.	DESCRIPTION	DATE	DRAWN BY
1	ORIGINAL PRINT	8/1/2014	R. BAKER
2	DRAWN TO MEET AMDS-1	6/25/2018	B. HODSON



*** SEE CAD FOR ADDITIONAL TOOLPATH INFO***

UNLESS OTHERWISE SPECIFIED:		COMMENTS:					
DIMENSIONS ARE IN INCHES		DUAL DIMENSIONS ARE IN MILLIMETERS.					TITLE: RETAINING RING 750IN, EXTERNAL
TOLERANCES: FRACTIONAL $\pm 1/16$ ANGULAR: MACH $\pm 1^\circ$ ANGULAR: BEND $\pm 5^\circ$ ONE PLACE DECIMAL ± 0.1 TWO PLACE DECIMAL ± 0.01 THREE PLACE DECIMAL ± 0.005 FOUR PLACE DECIMAL ± 0.0005		BREAK ALL SHARP EDGES		SIZE	DWG. NO.	REV	
MATERIAL CRS		CHECKED	NAME NL	DATE 7/3/18	A	am-1285	2
FINISH YELLOW ZINC		ENG APPR.	MFG APPR.	Q.A.	SCALE: 4:1	WEIGHT:	SHEET 1 OF 1
DO NOT SCALE DRAWING							