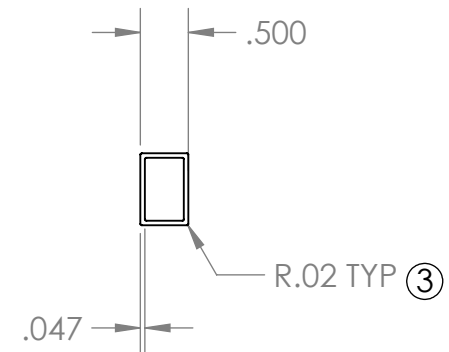
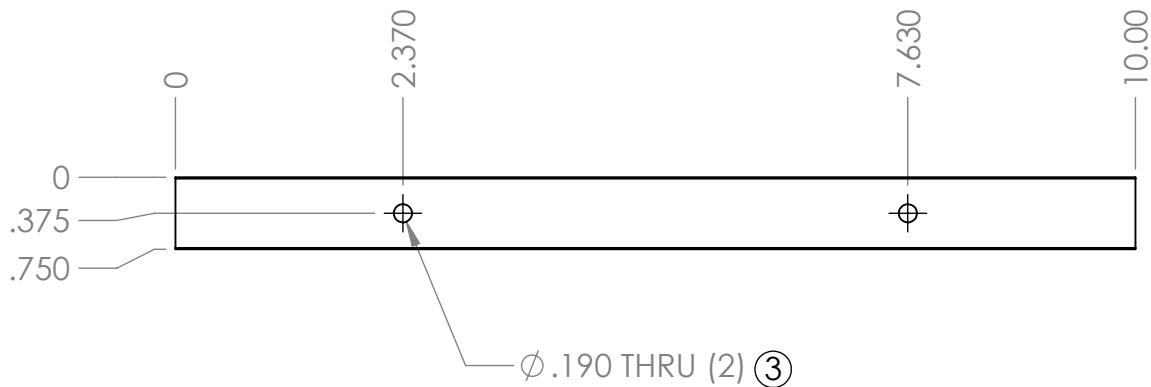



REVISION HISTORY			
REV.	DESCRIPTION	DATE	DRAWN BY
1	ORIGINAL PRINT	5/20/2015	P. YEUNG
2	INCREASED LENGTH, DECREASED HOLE COUNT	1/8/2017	N. LAWRENCE
3	DRAWN TO MEET AMDS-1	5/29/2018	A. SHORES



*** SEE CAD FOR ADDITIONAL TOOLPATH INFO***

UNLESS OTHERWISE SPECIFIED:		COMMENTS:					
DIMENSIONS ARE IN INCHES		DUAL DIMENSIONS ARE IN MILLIMETERS.					TITLE:
TOLERANCES: FRACTIONAL ±1/16 ANGULAR: MACH ±1° ANGULAR: BEND ±5° ONE PLACE DECIMAL ±0.1 TWO PLACE DECIMAL ±0.01 THREE PLACE DECIMAL ±0.0005 FOUR PLACE DECIMAL ±0.0005		BREAK ALL SHARP EDGES		FTC FIELD LINK			
MATERIAL		CHECKED	NAME	DATE	SIZE	DWG. NO.	REV
6063-T6 ALUMINUM		ENG APPR.	NL	6/29/18	A	am-2580a	3
FINISH		MFG APPR.					
DEBURRED		Q.A.			SCALE: 1:4	WEIGHT:	SHEET 1 OF 1
DO NOT SCALE DRAWING							