

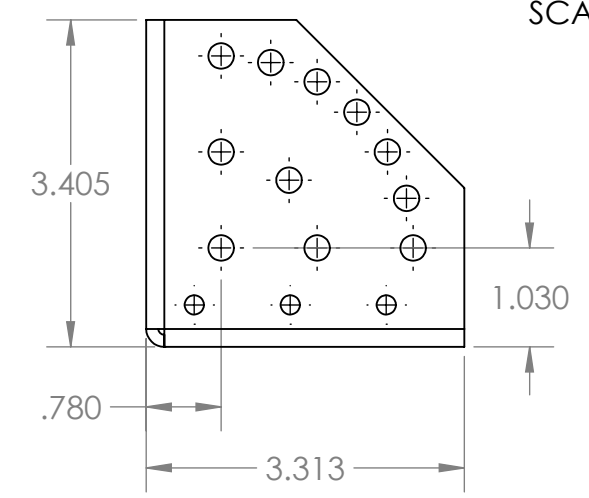
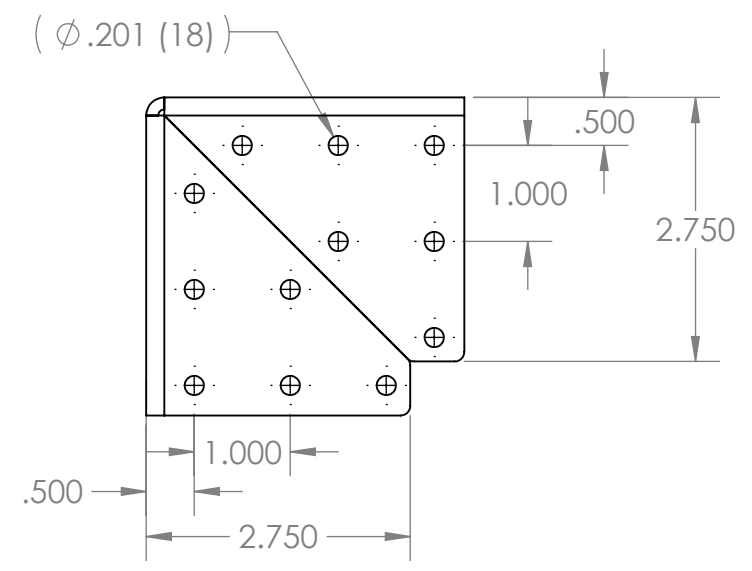
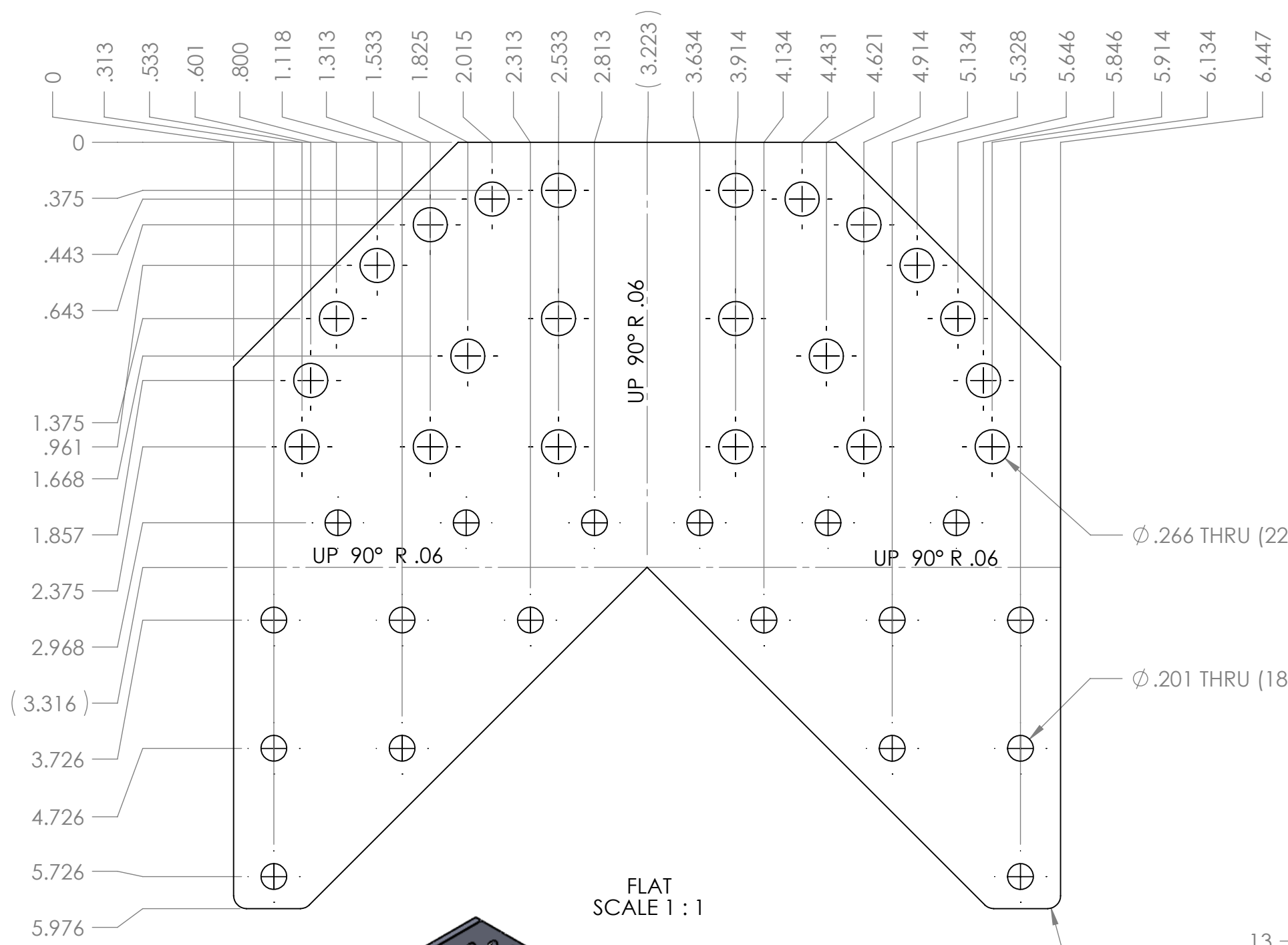
4

3

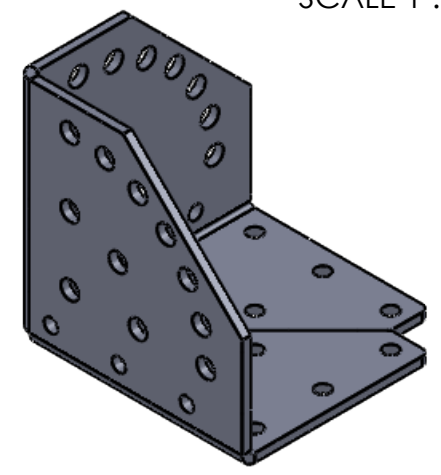
2

1

REVISION HISTORY			
REV.	DESCRIPTION	DATE	DRAWN BY
1	ORIGINAL PRINT	2/4/2014	C. NEPOMUCENO
2	DRAWN TO MEET AMDS-1	6/20/2018	A. SHORES



*** SEE CAD FOR ADDITIONAL TOOLPATH INFO***



UNLESS OTHERWISE SPECIFIED:		COMMENTS:				
DIMENSIONS ARE IN INCHES		DUAL DIMENSIONS ARE IN MILLIMETERS.				
TOLERANCES:		BREAK ALL SHARP EDGES.		SIZE DWG. NO. REV		
FRACTIONAL	±1/16			B am-2793 2		
ANGULAR: MACH	±1°			SCALE: 1:2 SHEET 1 OF 1		
ANGULAR: BEND	±5°					
ONE PLACE DECIMAL	±0.1					
TWO PLACE DECIMAL	±0.01					
THREE PLACE DECIMAL	±0.005					
FOUR PLACE DECIMAL	±0.0005					
MATERIAL	5052 ALUMINUM	CHECKED	NAME NL	DATE	7/3/18	
FINISH	TUMBLER	ENG APPR.				
	DO NOT SCALE DRAWING	MFG APPR.				
		Q.A.				

4

3

2

1

B

B

A

A