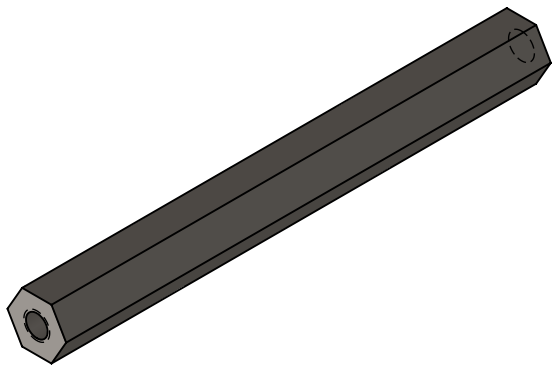
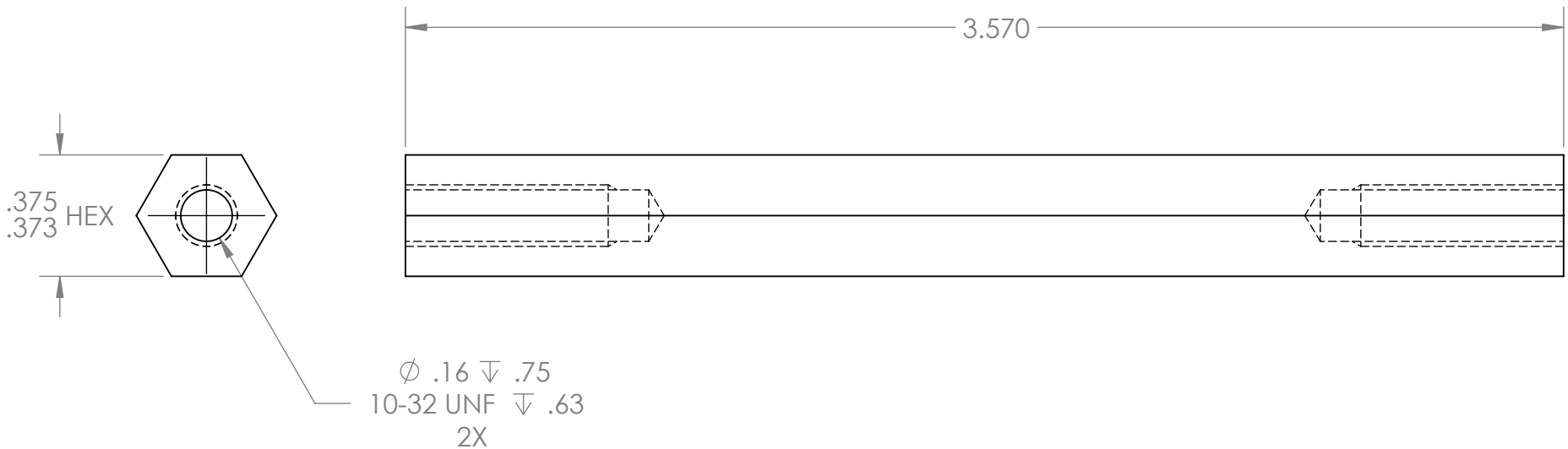



REVISION HISTORY			
REV.	DESCRIPTION	DATE	DRAWN BY
1	ORIGINAL PRINT	9/15/2014	A. BAKER
2	REMOVED DOWEL HOLE, REDRAWN	5/26/2015	J. PAIKOFF
3	DRAWN TO MEET AMDS-1. TOLERANCED UPDATED	6/26/2018	A. SHORES
4	REMOVED GROVES, ADDED HOLES, CHANGED TO "b"	5/22/2019	N. MASSOUDA



*** SEE CAD FOR ADDITIONAL TOOLPATH INFO***

UNLESS OTHERWISE SPECIFIED:		COMMENTS:			
DIMENSIONS ARE IN INCHES		DUAL DIMENSIONS ARE IN MILLIMETERS.			
TOLERANCES:		BREAK ALL SHARP EDGES		TITLE:	
FRACTIONAL	$\pm 1/16$			SWERVE & STEER 375	
ANGULAR: MACH	$\pm 1^\circ$			HEX OUTPUT SHAFT	
ANGULAR: BEND	$\pm 5^\circ$			SIZE	DWG. NO.
ONE PLACE DECIMAL	± 0.1			A	am-3021b
TWO PLACE DECIMAL	± 0.01			REVISION	4
THREE PLACE DECIMAL	± 0.005			SCALE: 2:1	WEIGHT:
FOUR PLACE DECIMAL	± 0.0005			SHEET 1 OF 1	
MATERIAL	4140 STEEL	CHECKED	NAME	DATE	
FINISH	ZINC PLATED	ENG APPR.			
		MFG APPR.			
	DO NOT SCALE DRAWING	Q.A.			