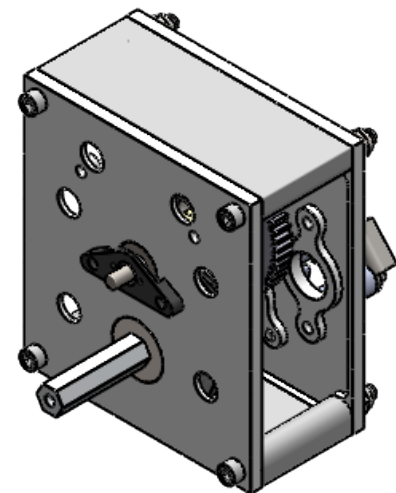
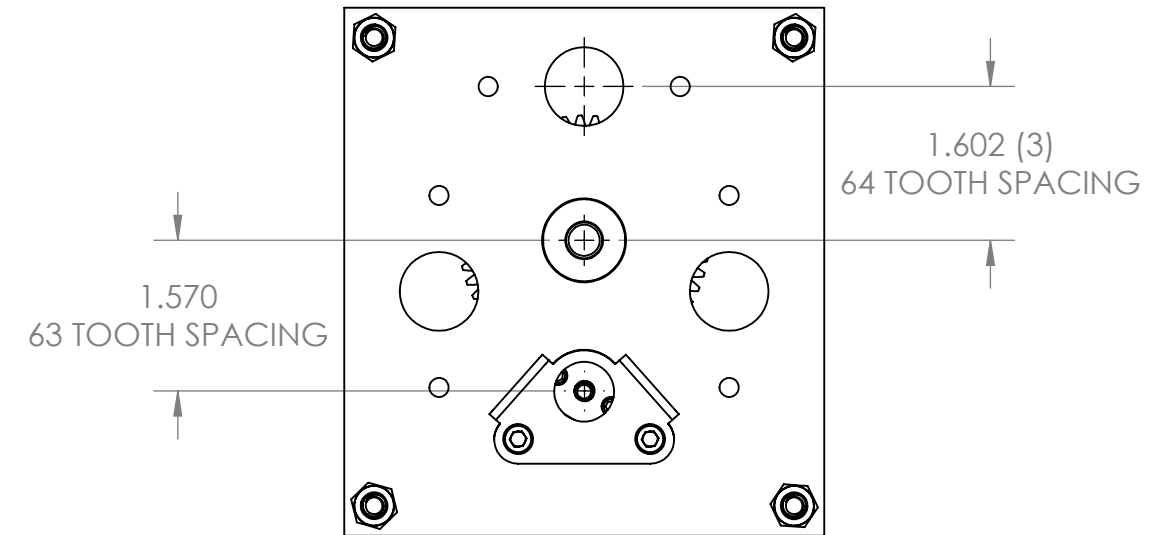
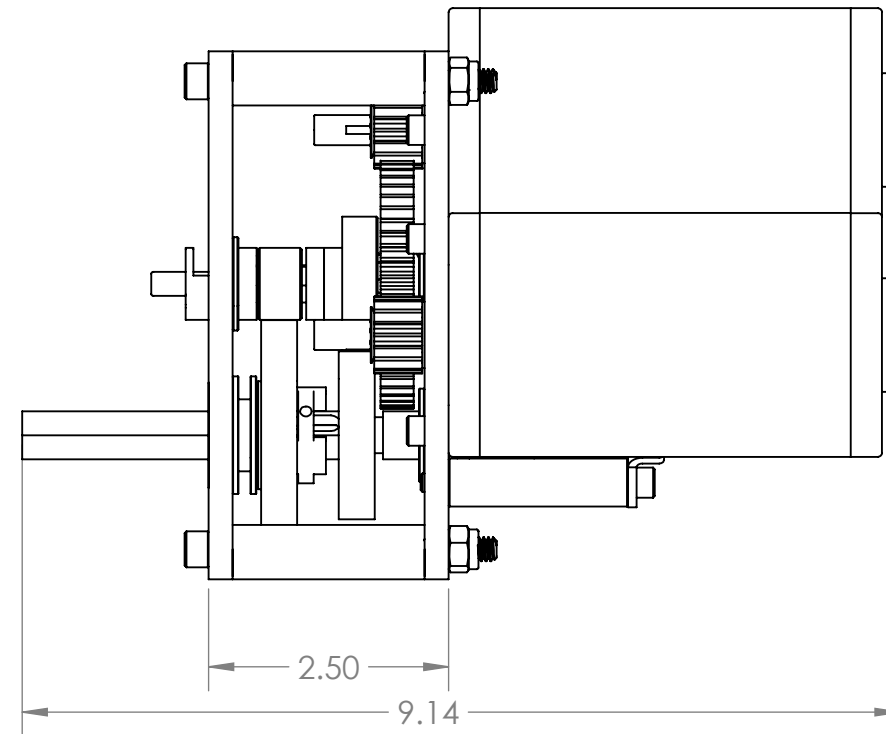
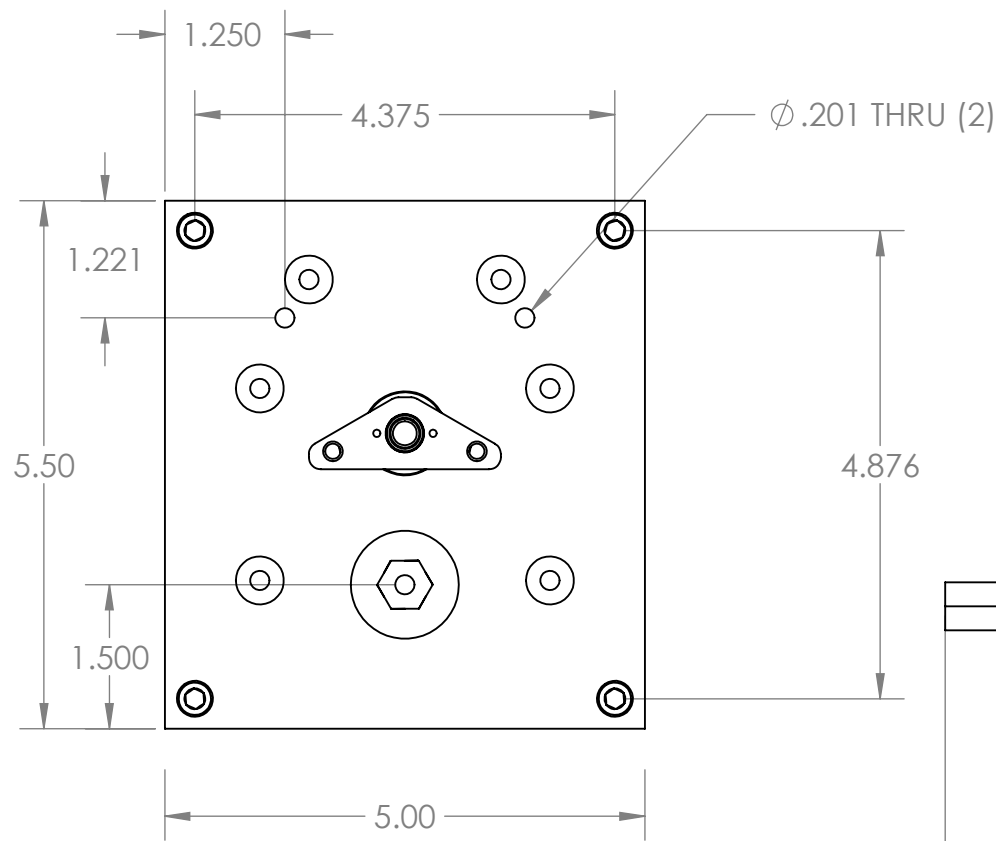



REVISION HISTORY			
REV.	DESCRIPTION	DATE	DRAWN BY
1	ORIGINAL PRINT	10/17/2017	K. NEPOMUCENO
2	DRAWN TO MEET AMDS-1	6/22/2018	A. SHORES



\*\*\* SEE CAD FOR ADDITIONAL TOOLPATH INFO\*\*\*

UNLESS OTHERWISE SPECIFIED:		COMMENTS:		 <b>TITLE:</b> SUPER SONIC SHIFTER		
<b>DIMENSIONS ARE IN INCHES</b>		DUAL DIMENSIONS ARE IN MILLIMETERS.				
TOLERANCES:		BREAK ALL SHARP EDGES.		SIZE	DWG. NO.	REV
FRACTIONAL	±1/16					
ANGULAR: MACH	±1°			<b>B</b>	<b>am-3039_45</b>	<b>2</b>
ANGULAR: BEND	±5°					
ONE PLACE DECIMAL	±0.1	CHECKED	NAME	DATE	SCALE: 1:2	
TWO PLACE DECIMAL	±0.01	ENG APPR.	NL	7/3/18	SHEET 1 OF 1	
THREE PLACE DECIMAL	±0.005	MFG APPR.				
FOUR PLACE DECIMAL	±0.0005	Q.A.				
MATERIAL		DO NOT SCALE DRAWING				
FINISH						