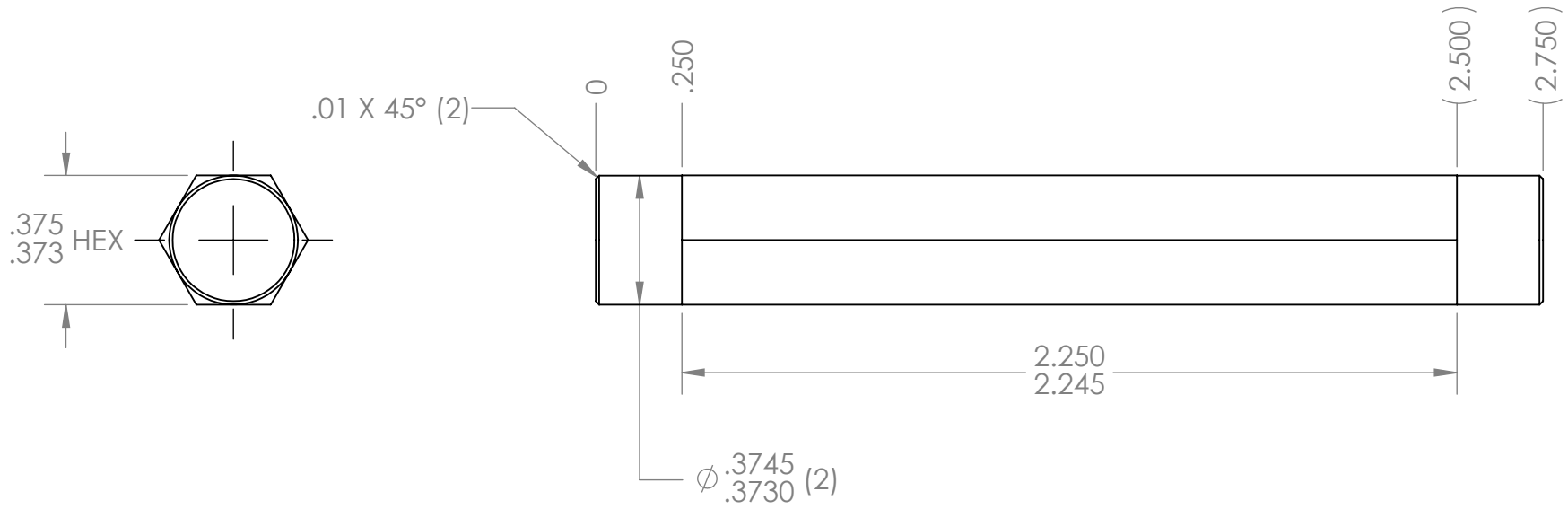
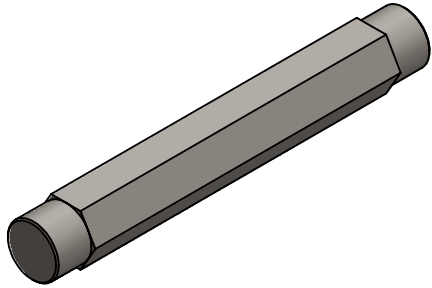



REVISION HISTORY			
REV.	DESCRIPTION	DATE	DRAWN BY
1	ORIGINAL PRINT	11/9/2016	N. LAWRENCE
2	UPDATE TO AMDS-1	6/26/2018	A. MILLS



*** SEE CAD FOR ADDITIONAL TOOLPATH INFO***



UNLESS OTHERWISE SPECIFIED:		COMMENTS:				
DIMENSIONS ARE IN INCHES		DUAL DIMENSIONS ARE IN MILLIMETERS.				
TOLERANCES: FRACTIONAL ±1/16 ANGULAR: MACH ±1° ANGULAR: BEND ±5° ONE PLACE DECIMAL ±0.1 TWO PLACE DECIMAL ±0.01 THREE PLACE DECIMAL ±0.005 FOUR PLACE DECIMAL ±0.0005		BREAK ALL SHARP EDGES		TITLE: 2 STAGE EVO SHIFTER CLUSTER SHAFT		
MATERIAL 4140 STEEL		NAME	DATE	SIZE	DWG. NO.	REV
FINISH ZINC PLATED		CHECKED	NL	6/22/18	A	am-3497
DO NOT SCALE DRAWING		ENG APPR.				2
		MFG APPR.				
		Q.A.			SCALE: 2:1	WEIGHT:
						SHEET 1 OF 1