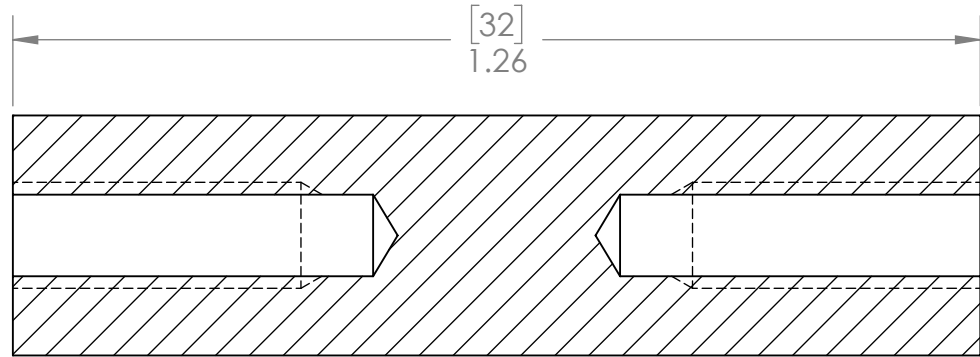
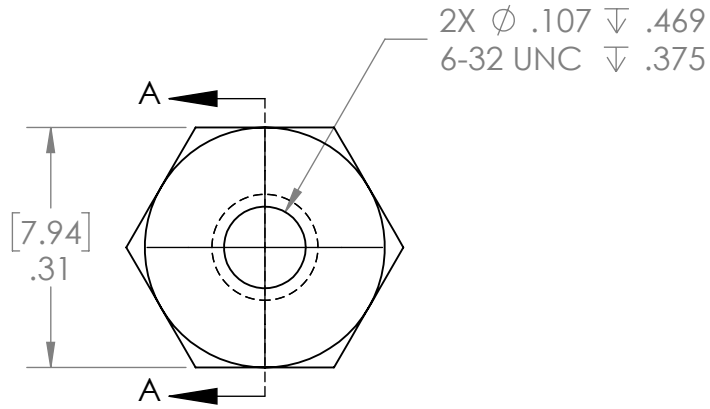
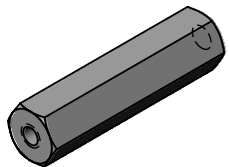



| REVISION HISTORY | | | |
|------------------|----------------------|----------|-------------|
| REV. | DESCRIPTION | DATE | DRAWN BY |
| 1 | ORIGINAL PRINT | 9/8/17 | N. LAWRENCE |
| 2 | DRAWN TO MEET AMDS-1 | 7/9/2018 | B. HODSON |



SECTION A-A

*** SEE CAD FOR ADDITIONAL TOOLPATH INFO***



| | | | | | |
|---|--|-------------------------------------|---------|---|---------------------|
| UNLESS OTHERWISE SPECIFIED: | | COMMENTS: | |  | |
| DIMENSIONS ARE IN INCHES | | DUAL DIMENSIONS ARE IN MILLIMETERS. | | | |
| TOLERANCES: FRACTIONAL $\pm 1/16$ ANGULAR: MACH $\pm 1^\circ$ ANGULAR: BEND $\pm 5^\circ$ ONE PLACE DECIMAL ± 0.1 TWO PLACE DECIMAL ± 0.01 THREE PLACE DECIMAL ± 0.005 FOUR PLACE DECIMAL ± 0.0005 | | BREAK ALL SHARP EDGES. | | TITLE: | |
| MATERIAL ALUMINUM | | CHECKED | NAME NL | DATE 7/23/18 | SIZE A |
| FINISH DEBURRED | | ENG APPR. | | | DWG. NO. am-3685-32 |
| DO NOT SCALE DRAWING | | MFG APPR. | | | REV 2 |
| | | Q.A. | | | SCALE: 4:1 |
| | | | | | SHEET 1 OF 1 |