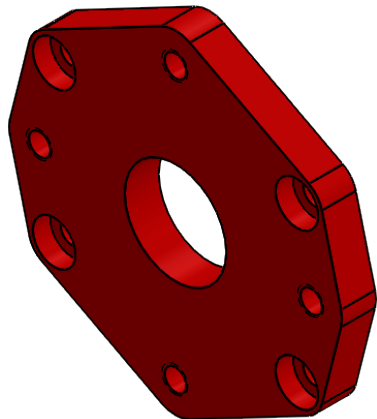
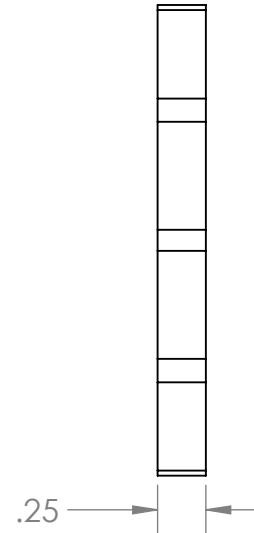
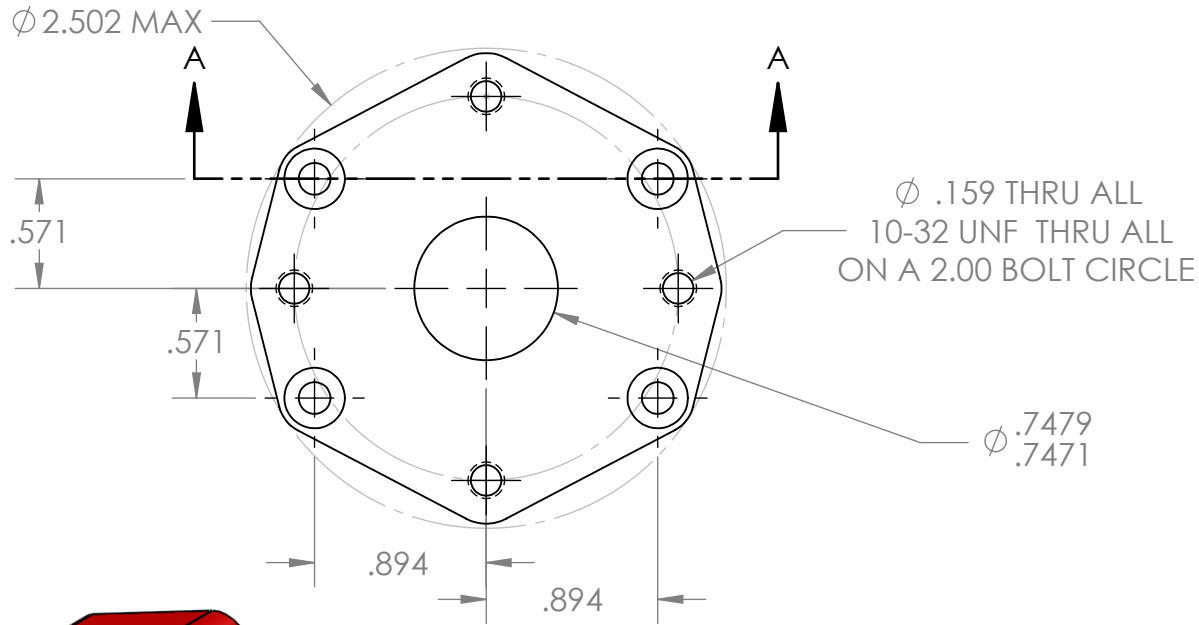
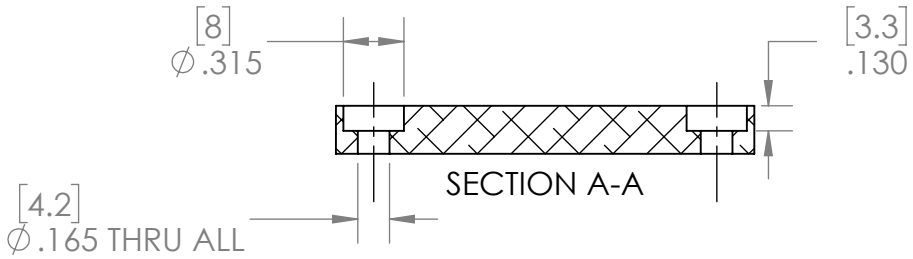



REVISION HISTORY			
REV.	DESCRIPTION	DATE	DRAWN BY
1	ORIGINAL PRINT	7/31/2017	K. STAHLECKER
2	DRAWN TO MEET AMDS-1	7/10/2018	B. HODSON



*** SEE CAD FOR ADDITIONAL TOOLPATH INFO***

UNLESS OTHERWISE SPECIFIED:		COMMENTS:			
DIMENSIONS ARE IN INCHES		DUAL DIMENSIONS ARE IN MILLIMETERS.			
TOLERANCES:		BREAK ALL SHARP EDGES		TITLE:	
FRACTIONAL	$\pm 1/16$			DECIMATE OUTPUT PLATE	
ANGULAR: MACH	$\pm 1^\circ$				
ANGULAR: BEND	$\pm 5^\circ$				
ONE PLACE DECIMAL	± 0.1				
TWO PLACE DECIMAL	± 0.01			SIZE	DWG. NO.
THREE PLACE DECIMAL	± 0.005			A	am-3692
FOUR PLACE DECIMAL	± 0.0005				2
MATERIAL		NAME	DATE	SCALE: 1:1	
6061-T6 ALUMINUM		CHECKED	NL	7/23/18	WEIGHT:
FINISH		ENG APPR.			SHEET 1 OF 1
TUMBLLED		MFG APPR.			
DO NOT SCALE DRAWING		Q.A.			