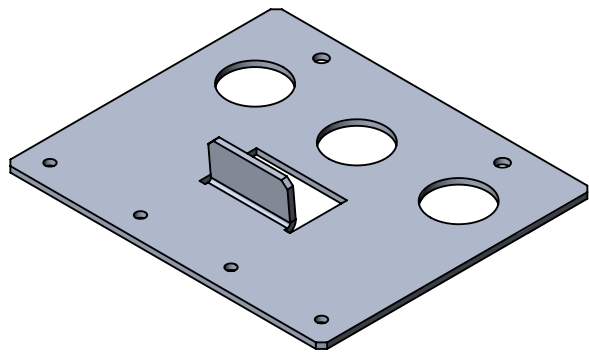
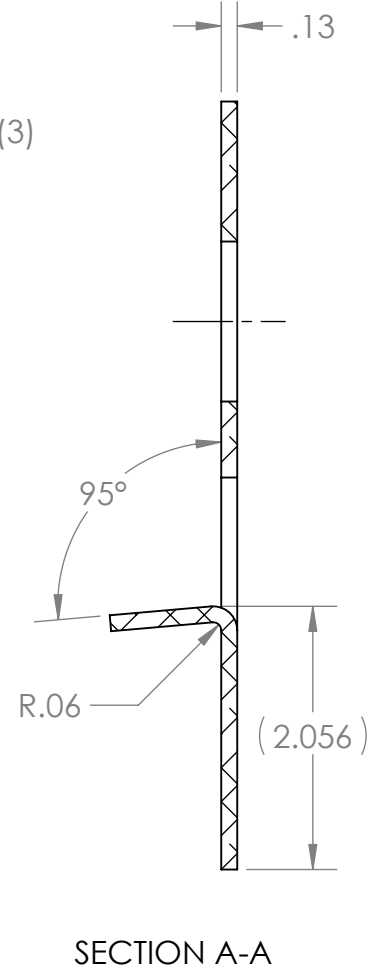
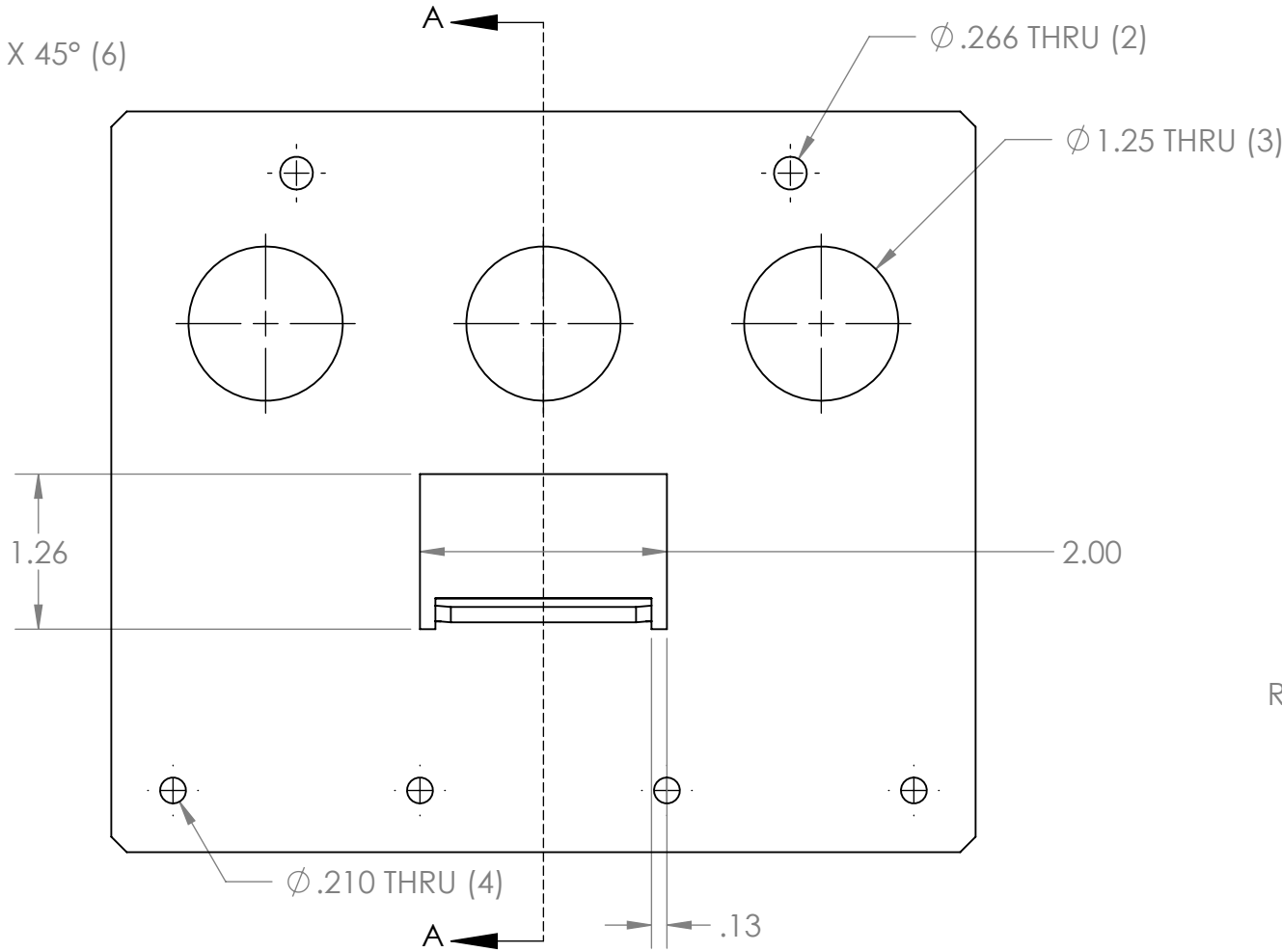
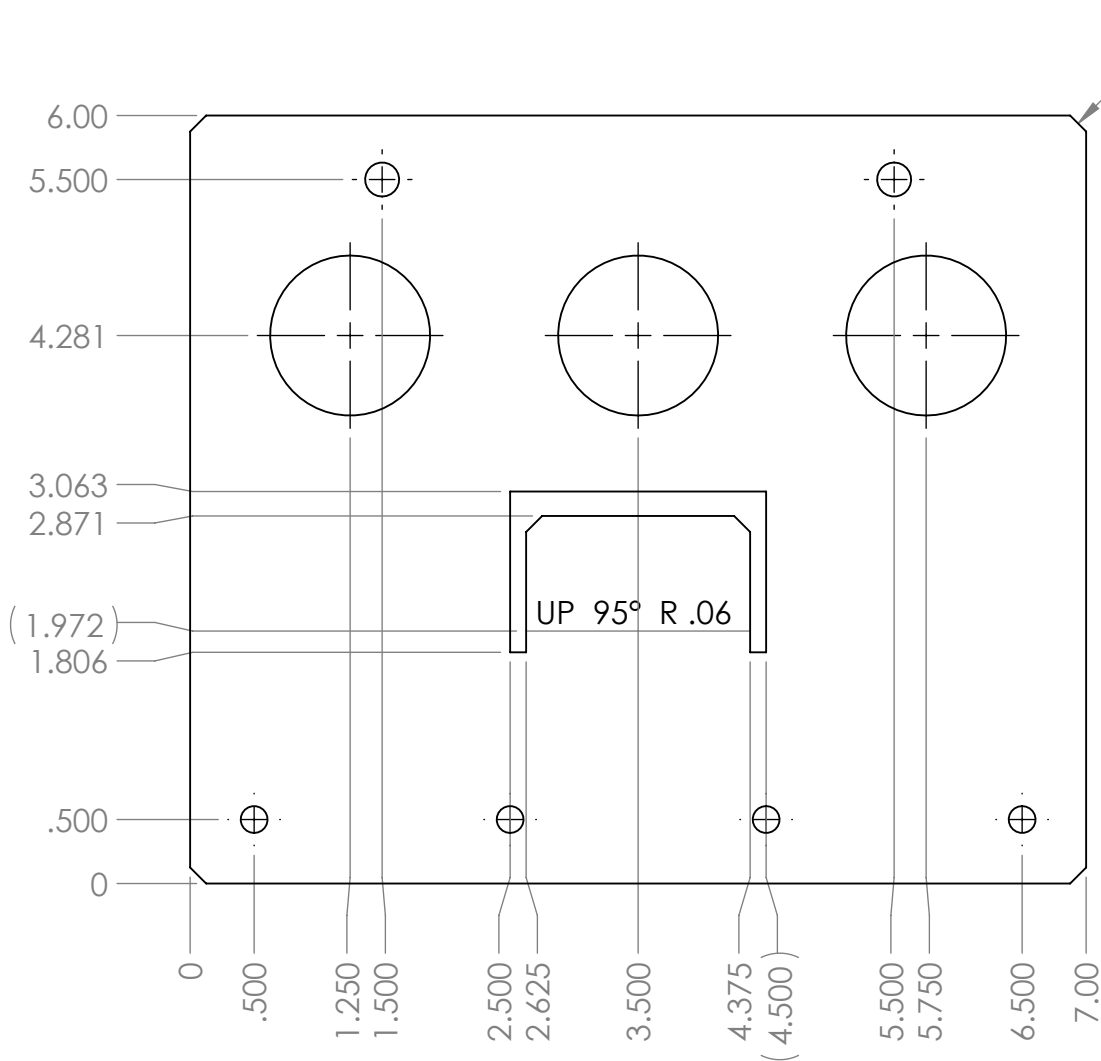


REVISION HISTORY			
REV.	DESCRIPTION	DATE	DRAWN BY
1	ORIGINAL PRINT	6/26/2018	N. LAWRENCE
2	UPDATED PART NUMBER	9/11/2018	N. LAWRENCE



\*\*\* SEE CAD FOR ADDITIONAL TOOLPATH INFO\*\*\*

UNLESS OTHERWISE SPECIFIED:		COMMENTS:	
<b>DIMENSIONS ARE IN INCHES</b>		DUAL DIMENSIONS ARE IN MILLIMETERS.	
TOLERANCES:		BREAK ALL SHARP EDGES.	
FRACTIONAL	±1/16		
ANGULAR: MACH	±1°		
ANGULAR: BEND	±5°		
ONE PLACE DECIMAL	±0.1		
TWO PLACE DECIMAL	±0.01		
THREE PLACE DECIMAL	±0.005		
FOUR PLACE DECIMAL	±0.0005		
MATERIAL	5052 AL	NAME	DATE
FINISH	DEBURRED	CHECKED	
		ENG APPR.	
		MFG APPR.	
		Q.A.	
		SIZE	DWG. NO.
		<b>B</b>	am-3959
		REV	2
		SCALE: 2:3	SHEET 1 OF 1



TITLE: AM14U4 VERTICAL BATTERY MOUNT BOTTOM PLATE