

4

3

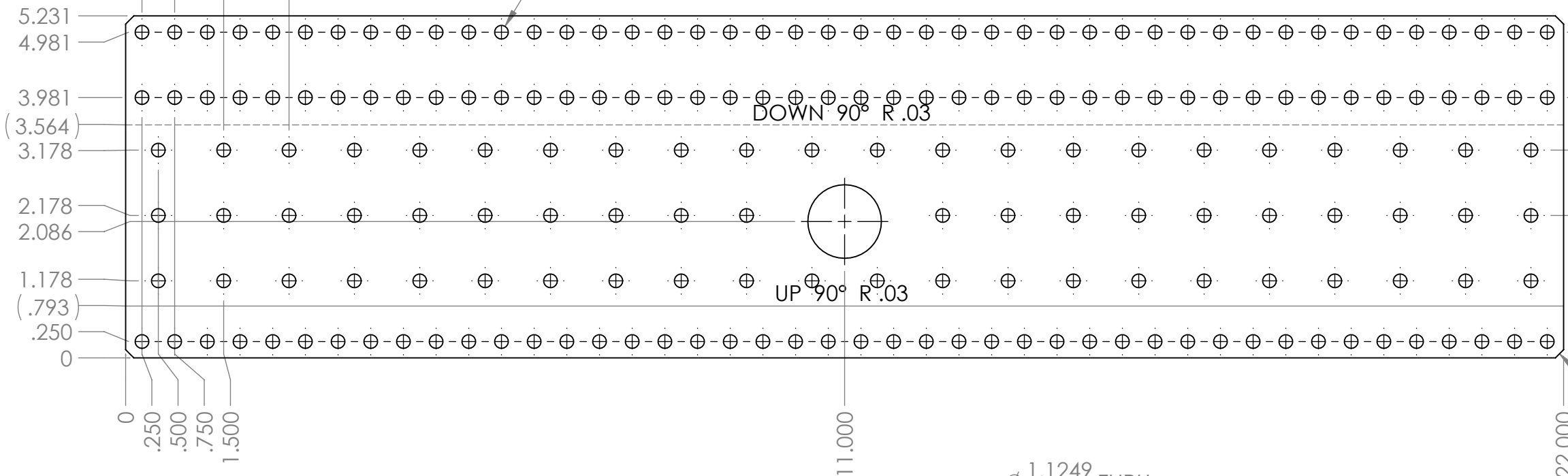
2

1

REVISION HISTORY			
REV.	DESCRIPTION	DATE	DRAWN BY
1	ORIGINAL PRINT	10/9/2018	N. LAWRENCE

.500 TYP 1.000 TYP

Ø .210 THRU (196)



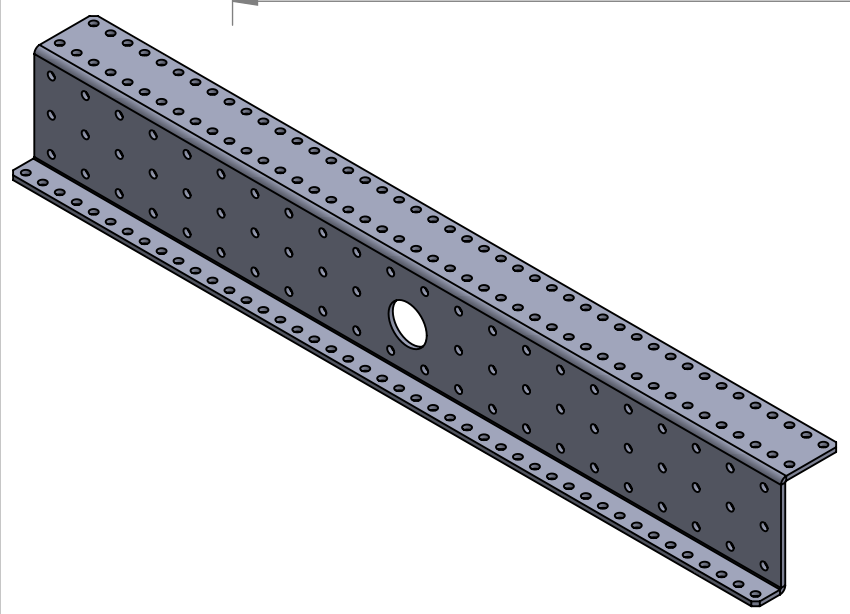
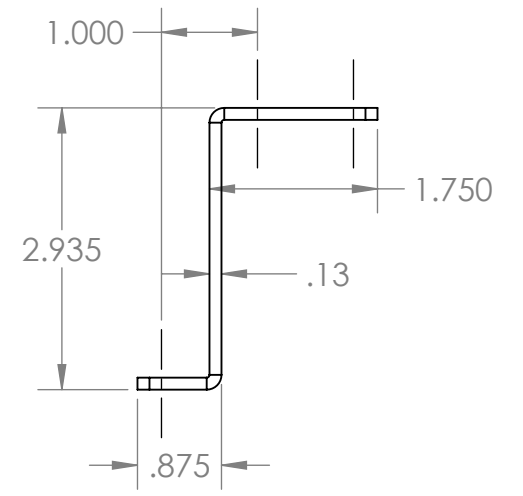
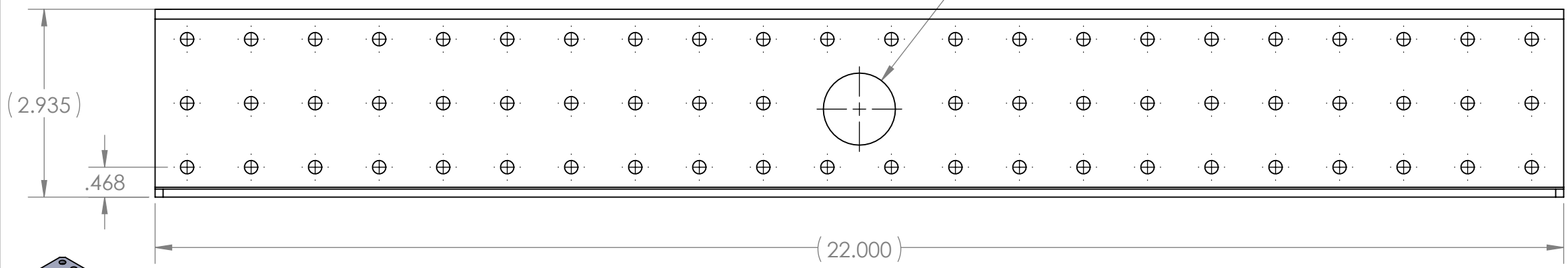
DOWN 90° R.03

UP 90° R.03

Ø 1.1249 THRU 1.1241

.13 X 45° (4)

22.000



*** SEE CAD FOR ADDITIONAL TOOLPATH INFO***

UNLESS OTHERWISE SPECIFIED:		COMMENTS:	
DIMENSIONS ARE IN INCHES		DUAL DIMENSIONS ARE IN MILLIMETERS.	
TOLERANCES:		BREAK ALL SHARP EDGES.	
FRACTIONAL	±1/16		
ANGULAR: MACH	±1°		
ANGULAR: BEND	±5°		
ONE PLACE DECIMAL	±0.1		
TWO PLACE DECIMAL	±0.01		
THREE PLACE DECIMAL	±0.005		
FOUR PLACE DECIMAL	±0.0005		
MATERIAL	5052 AL	NAME	DATE
FINISH	DEBURRED	CHECKED	
		ENG APPR.	
		MFG APPR.	
		Q.A.	



TITLE:			
AM14U4 CROSS PLATE			
SIZE	DWG. NO.	REV	
B	am-3974	1	
SCALE: 1:2		SHEET 1 OF 1	

4

3

2

1

B

B

A

A