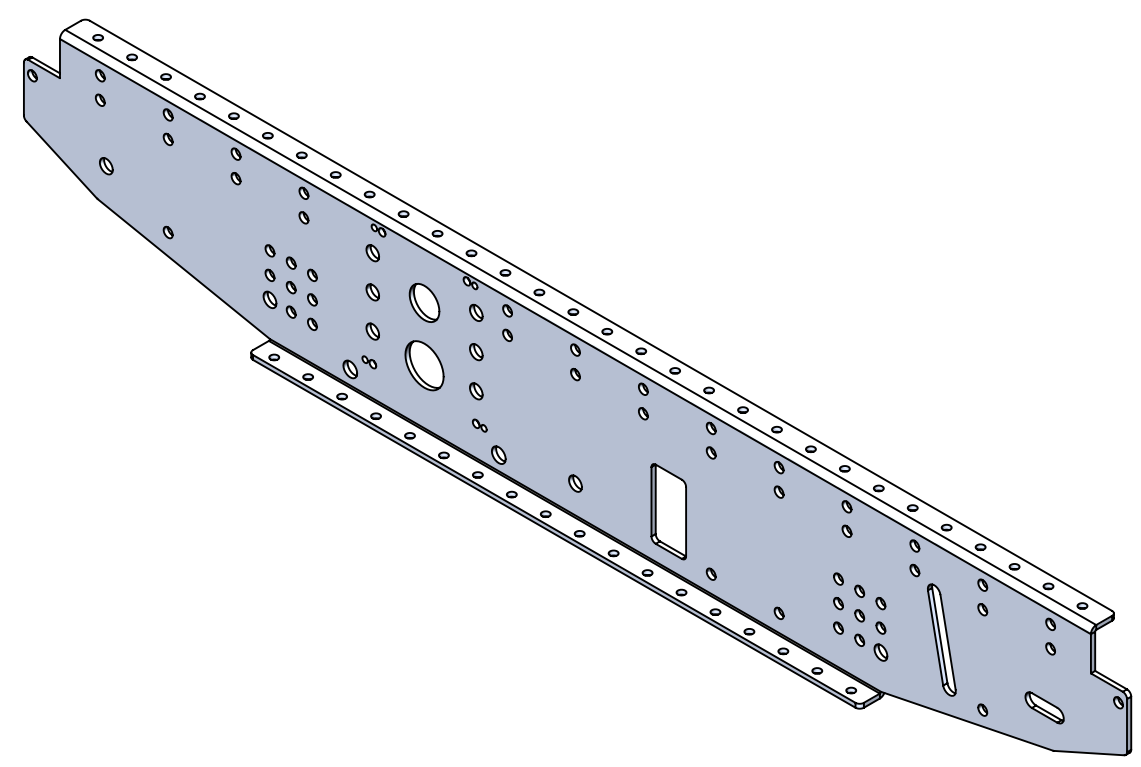
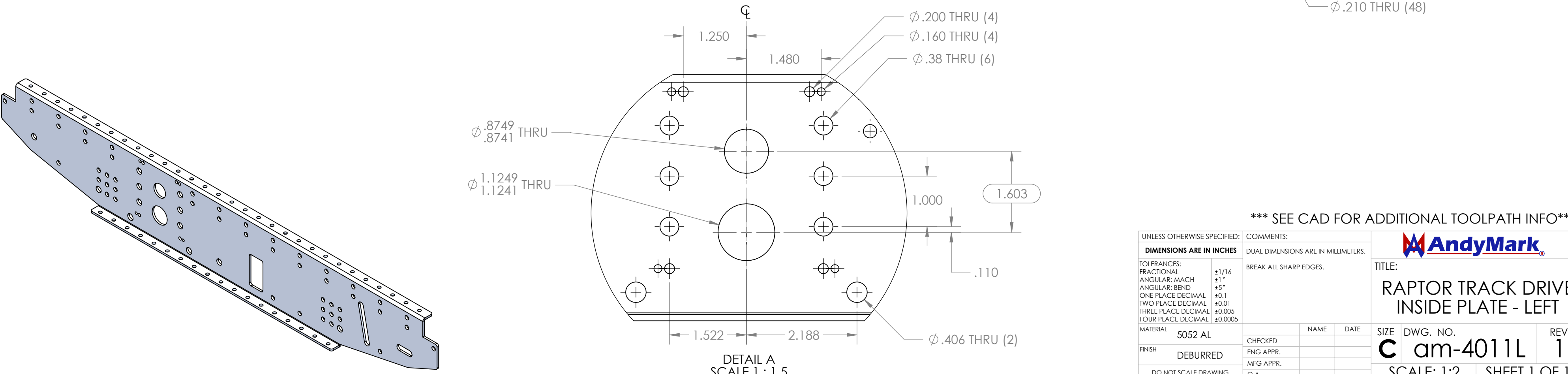
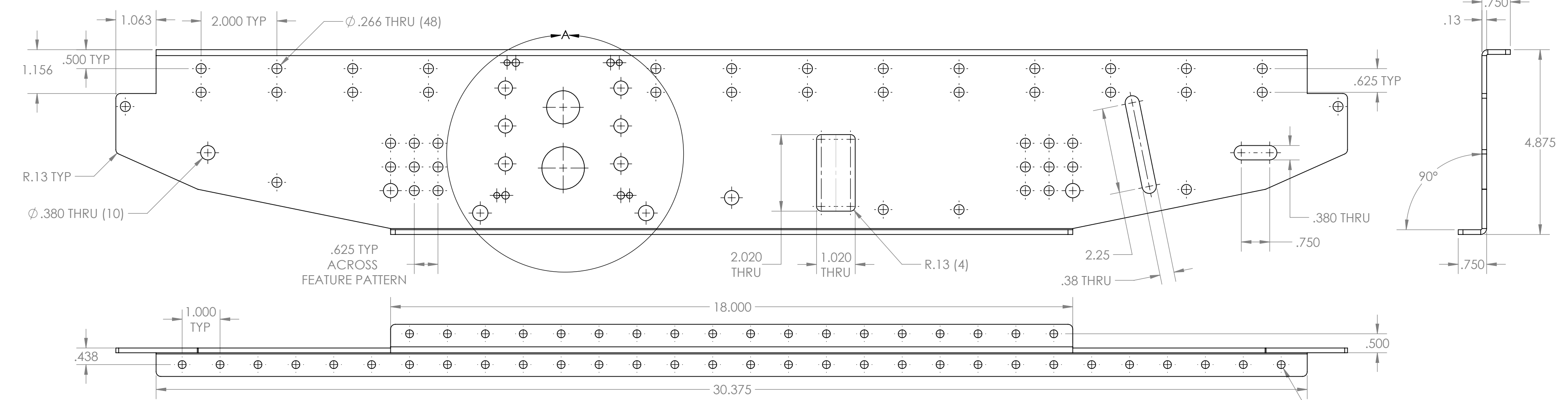
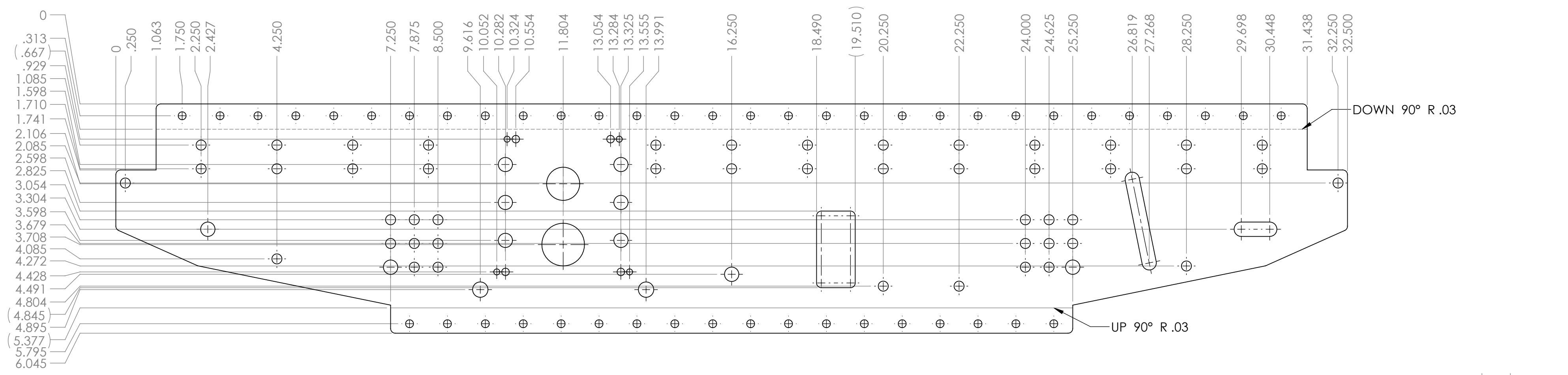


REVISION HISTORY			
REV.	DESCRIPTION	DATE	DRAWN BY
1	ORIGINAL PRINT	11/14/2018	N. LAWRENCE



\*\*\* SEE CAD FOR ADDITIONAL TOOLPATH INFO \*\*\*

UNLESS OTHERWISE SPECIFIED:		COMMENTS:	
DIMENSIONS ARE IN INCHES		DUAL DIMENSIONS ARE IN MILLIMETERS.	
TOLERANCES:		BREAK ALL SHARP EDGES.	
FRACTIONAL	±1/16	TITLE:	<b>AndyMark</b>
ANGULAR: MACH	±1°	RAPTOR TRACK DRIVE	
ANGULAR: BEND	±5°	INSIDE PLATE - LEFT	
ONE PLACE DECIMAL	±0.1	SIZE	DWG. NO.
TWO PLACE DECIMAL	±0.01	<b>C</b>	am-4011L
THREE PLACE DECIMAL	±0.005	REV	1
FOUR PLACE DECIMAL	±0.0005	SCALE: 1:2 SHEET 1 OF 1	
MATERIAL	5052 AL	CHECKED	NAME DATE
FINISH	DEBURRED	ENG APPR.	
DO NOT SCALE DRAWING		MFG APPR.	
		Q.A.	