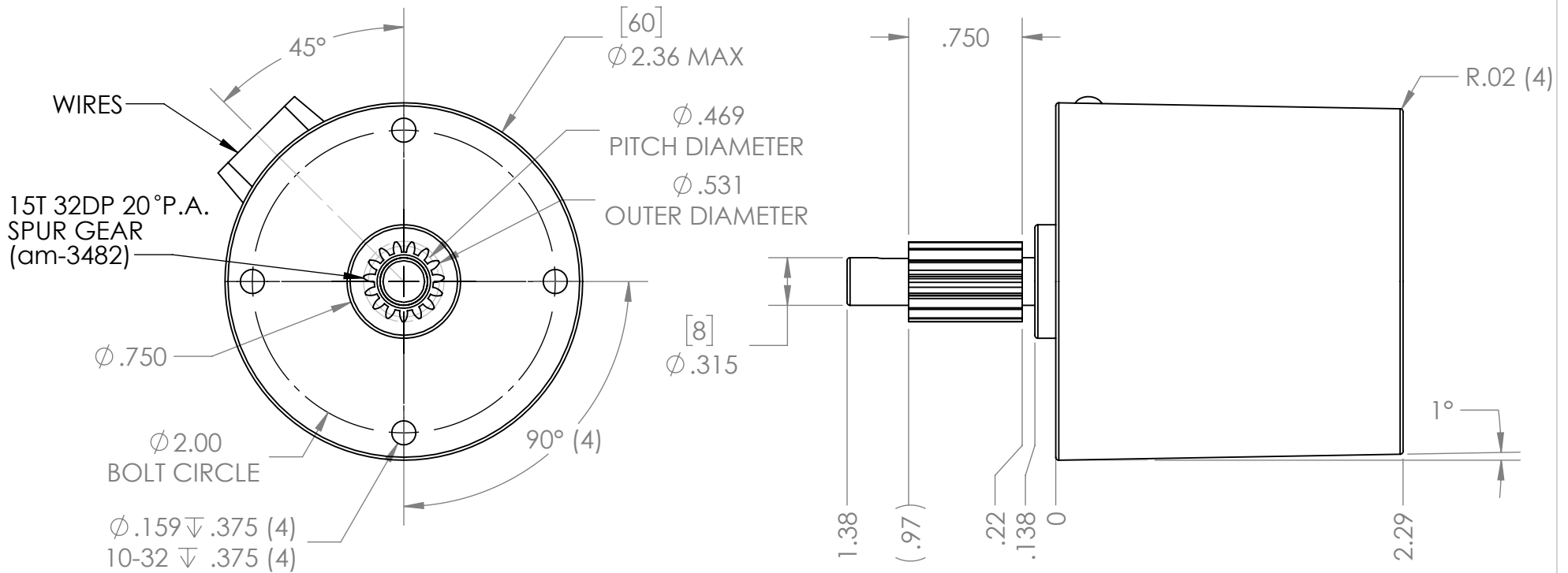
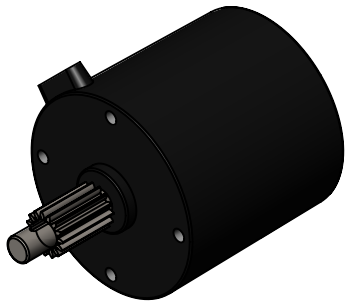



REVISION HISTORY			
REV.	DESCRIPTION	DATE	DRAWN BY
1	ORIGINAL PRINT	6/8/2020	N. LAWRENCE



*** SEE CAD FOR ADDITIONAL TOOLPATH INFO***



UNLESS OTHERWISE SPECIFIED:		COMMENTS:			
DIMENSIONS ARE IN INCHES		DUAL DIMENSIONS ARE IN MILLIMETERS.			
TOLERANCES:		BREAK ALL SHARP EDGES.		TITLE:	
FRACTIONAL	±1/16			NEO MOTOR WITH	
ANGULAR: MACH	±1°			15T 32DP PINION	
ANGULAR: BEND	±5°			FOR EVO GEARBOXES	
ONE PLACE DECIMAL	±0.1			SIZE	DWG. NO.
TWO PLACE DECIMAL	±0.01			A	am-4258_15T
THREE PLACE DECIMAL	±0.005			SCALE: 1:1	SHEET 1 OF 1
FOUR PLACE DECIMAL	±0.0005				
MATERIAL		NAME	DATE	REV	
FINISH		CHECKED	6/9/20	1	
		ENG APPR.			
		MFG APPR.			
DO NOT SCALE DRAWING		Q.A.			