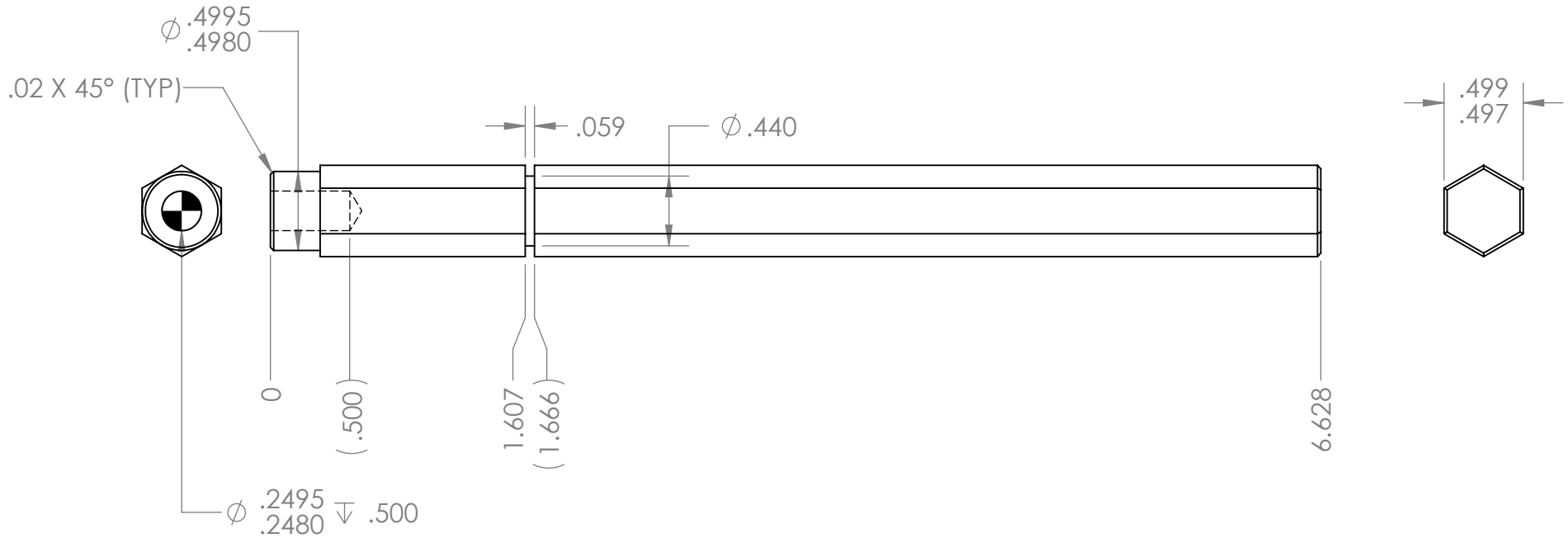



REV	DESCRIPTION OF CHANGES
1	ORIGINAL PRINT



UNLESS OTHERWISE SPECIFIED:		NAME	DATE			
DIMENSIONS ARE IN INCHES TOLERANCES: FRACTIONAL ± ANGULAR: MACH ± BEND ±5° TWO PLACE DECIMAL ±0.010 THREE PLACE DECIMAL ±0.005		DRAWN	NL 11/20/15			TITLE: ROCKETBOX Drive Output Shaft
INTERPRET GEOMETRIC TOLERANCING PER:		CHECKED		SIZE	DWG. NO.	
MATERIAL 4140 STEEL		ENG APPR.		A	am-3332	1
FINISH ZINC PLATED		MFG APPR.		SCALE: 1:1 WEIGHT: SHEET 1 OF 1		
DO NOT SCALE DRAWING		Q.A.				
		COMMENTS: DUAL DIMENSIONS ARE IN MILLIMETERS				

5

4

3

2

1