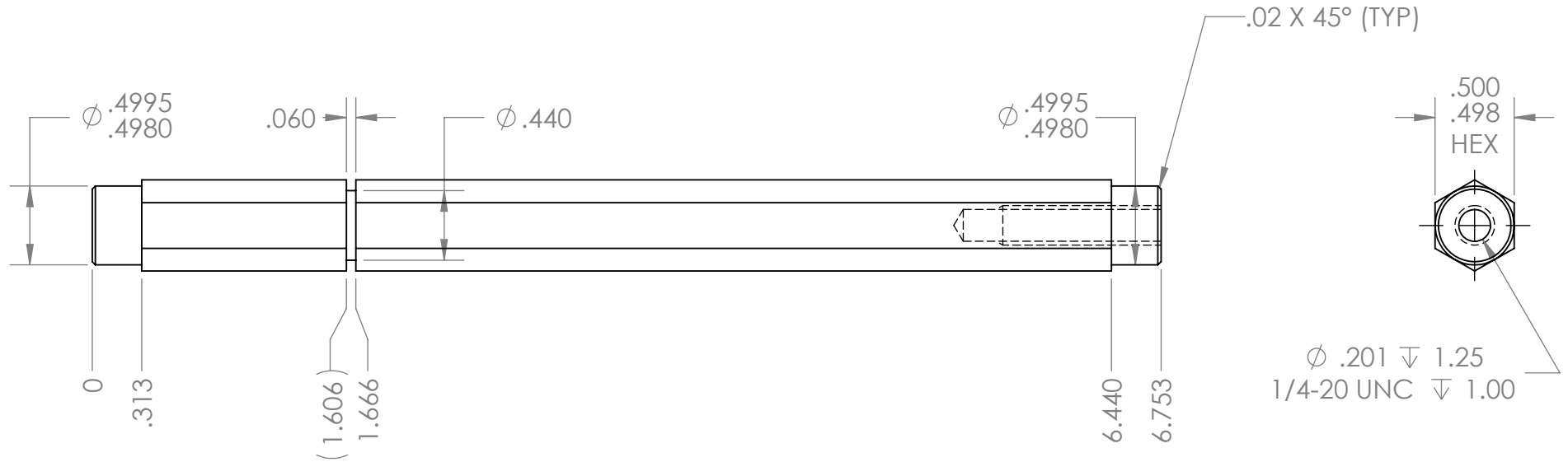



REVISION HISTORY			
REV.	DESCRIPTION	DATE	DRAWN BY
1	ORIGINAL PRINT	11/20/2015	N. LAWRENCE
2	UPDATED TO AMDS-1	7/2/2018	A. MILLS



*** SEE CAD FOR ADDITIONAL TOOLPATH INFO***

UNLESS OTHERWISE SPECIFIED:		COMMENTS:				
DIMENSIONS ARE IN INCHES		DUAL DIMENSIONS ARE IN MILLIMETERS.				
TOLERANCES: FRACTIONAL ±1/16 ANGULAR: MACH ±1° ANGULAR: BEND ±5° ONE PLACE DECIMAL ±0.1 TWO PLACE DECIMAL ±0.01 THREE PLACE DECIMAL ±0.005 FOUR PLACE DECIMAL ±0.0005		BREAK ALL SHARP EDGES		TITLE: ROCKETBOX MECHANISM OUTPUT SHAFT		
MATERIAL 4140 STEEL		NAME NL	DATE 6/27/18	SIZE A	DWG. NO. am-3339	REV 2
FINISH ZINC PLATED		ENG APPR.	MFG APPR.	SCALE: 1:1		WEIGHT:
DO NOT SCALE DRAWING		Q.A.		SHEET 1 OF 1		