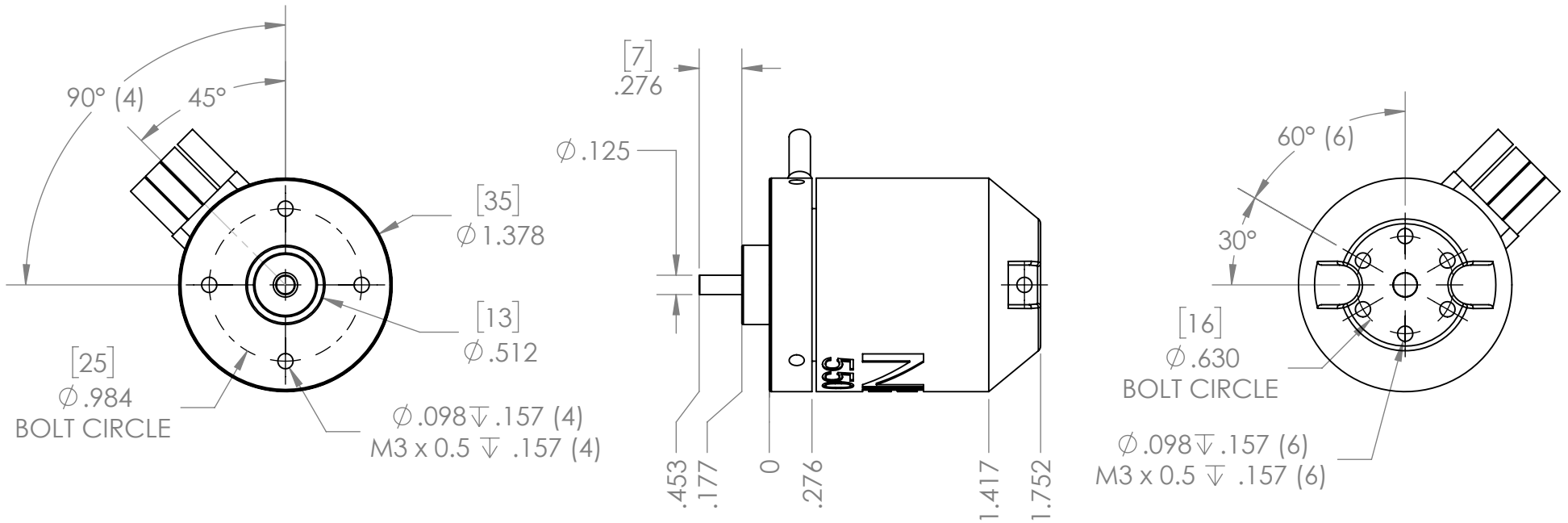
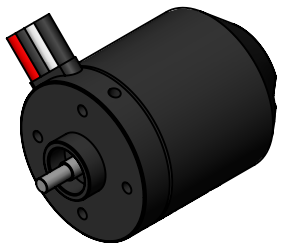


REVISION HISTORY			
REV.	DESCRIPTION	DATE	DRAWN BY
1	ORIGINAL PRINT	6/10/2020	N. LAWRENCE



*** SEE CAD FOR ADDITIONAL TOOLPATH INFO***



UNLESS OTHERWISE SPECIFIED:		COMMENTS:					
DIMENSIONS ARE IN INCHES		DUAL DIMENSIONS ARE IN MILLIMETERS.					
TOLERANCES:		BREAK ALL SHARP EDGES.		TITLE:			
FRACTIONAL	$\pm 1/16$			<p style="text-align: center; font-size: 24pt; font-weight: bold;">NEO 550</p>			
ANGULAR: MACH	$\pm 1^\circ$						
ANGULAR: BEND	$\pm 5^\circ$						
ONE PLACE DECIMAL	± 0.1						
TWO PLACE DECIMAL	± 0.01			SIZE	DWG. NO.	REV	
THREE PLACE DECIMAL	± 0.005			A	am-4259	1	
FOUR PLACE DECIMAL	± 0.0005						
MATERIAL	MOTOR	CHECKED	NAME	DATE	SCALE: 1:1		SHEET 1 OF 1
FINISH		ENG APPR.	KK	6/18/20			
DO NOT SCALE DRAWING		MFG APPR.					
		Q.A.					