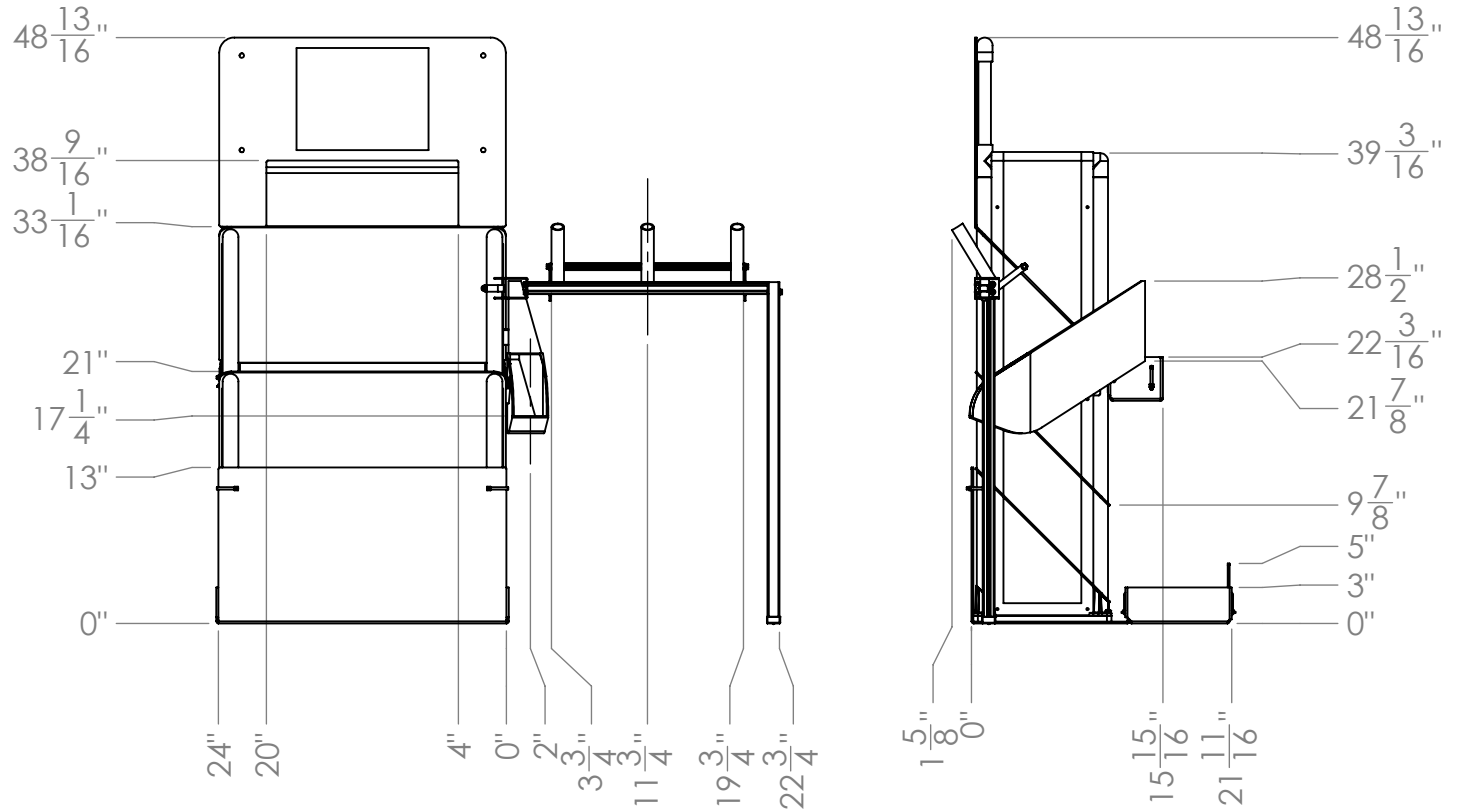
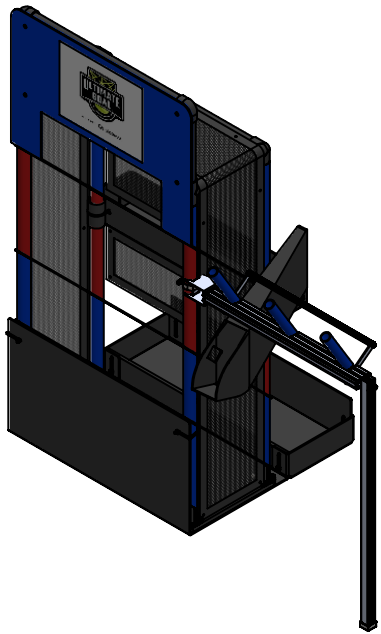



| REVISION HISTORY | | | |
|------------------|----------------|----------|----------|
| REV. | DESCRIPTION | DATE | DRAWN BY |
| 1 | ORIGINAL PRINT | 9/8/2020 | D. BLAU |



*** SEE CAD FOR ADDITIONAL TOOLPATH INFO***

| | |
|--------------|--------------------------------|
| am-4415_Red | RED TOWER GOAL AND POWER SHOT |
| am-4415_Blue | BLUE TOWER GOAL AND POWER SHOT |

| | | | | | | |
|---------------------------------|----------|-------------------------------------|------|---|----------|-----|
| UNLESS OTHERWISE SPECIFIED: | | COMMENTS: | |  | | |
| DIMENSIONS ARE IN INCHES | | DUAL DIMENSIONS ARE IN MILLIMETERS. | | | | |
| TOLERANCES: | | BREAK ALL SHARP EDGES. | | TITLE: | | |
| FRACTIONAL | ±1/16 | | | LR21 - TOWER GOAL AND POWER SHOT | | |
| ANGULAR: MACH | ±1° | | | SIZE | DWG. NO. | REV |
| ANGULAR: BEND | ±5° | | | A | am-4415 | 1 |
| ONE PLACE DECIMAL | ±0.1 | | | SCALE: 1:16 SHEET 1 OF 1 | | |
| TWO PLACE DECIMAL | ±0.01 | | | | | |
| THREE PLACE DECIMAL | ±0.005 | | | | | |
| FOUR PLACE DECIMAL | ±0.0005 | | | | | |
| MATERIAL | VARIOUS | CHECKED | NAME | DATE | | |
| FINISH | DEBURRED | ENG APPR. | NM | 9/9/20 | | |
| DO NOT SCALE DRAWING | | MFG APPR. | | | | |
| | | Q.A. | | | | |