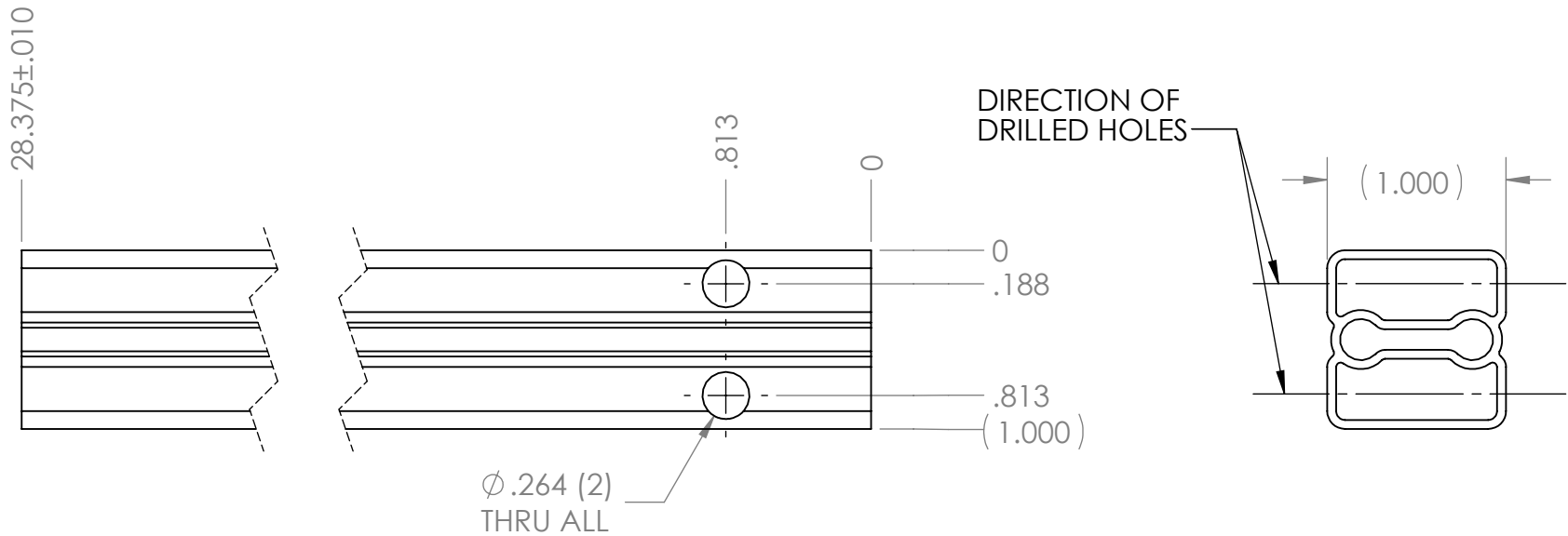



REVISION HISTORY			
REV.	DESCRIPTION	DATE	DRAWN BY
1	ORIGINAL PRINT	6/8/2020	D. BLAU



*** SEE CAD FOR ADDITIONAL TOOLPATH INFO***

UNLESS OTHERWISE SPECIFIED:		COMMENTS:					
DIMENSIONS ARE IN INCHES		DUAL DIMENSIONS ARE IN MILLIMETERS.					
TOLERANCES: FRACTIONAL ±1/16 ANGULAR: MACH ±1° ANGULAR: BEND ±5° ONE PLACE DECIMAL ±0.1 TWO PLACE DECIMAL ±0.01 THREE PLACE DECIMAL ±0.005 FOUR PLACE DECIMAL ±0.0005		BREAK ALL SHARP EDGES.		TITLE: LR21 POWER SHOT VERTICAL			
MATERIAL ex-3090		CHECKED	NAME JK	DATE 6/8/20	SIZE A	DWG. NO. am-4296	REV 1
FINISH Debured		MFG APPR.		SCALE: 1:1		SHEET 1 OF 1	
DO NOT SCALE DRAWING		Q.A.					