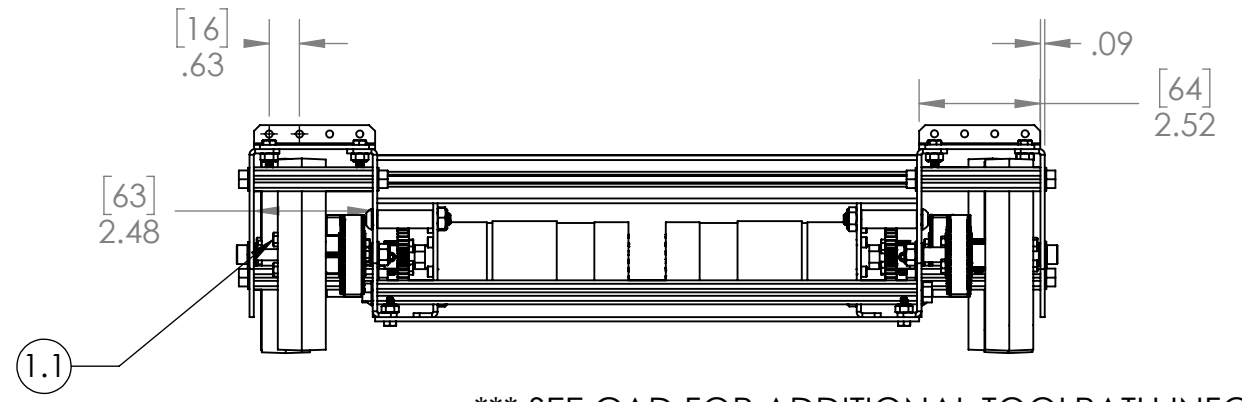
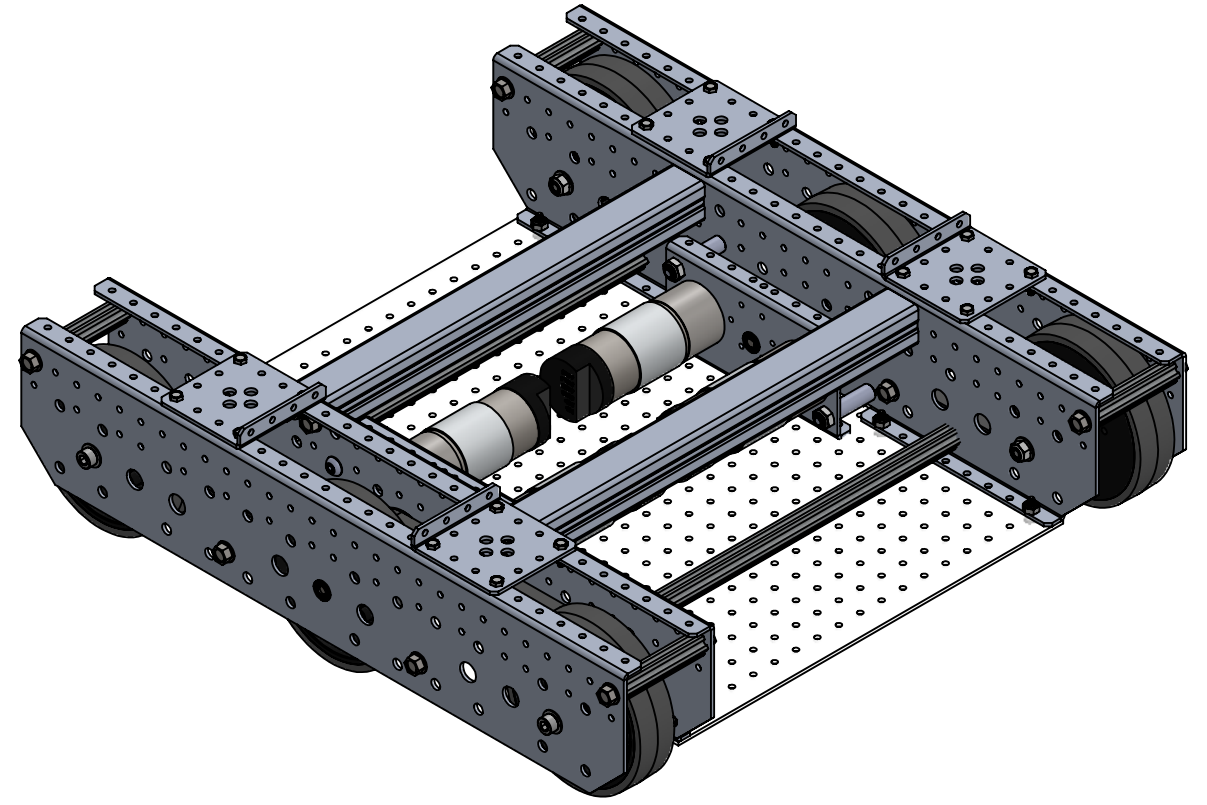
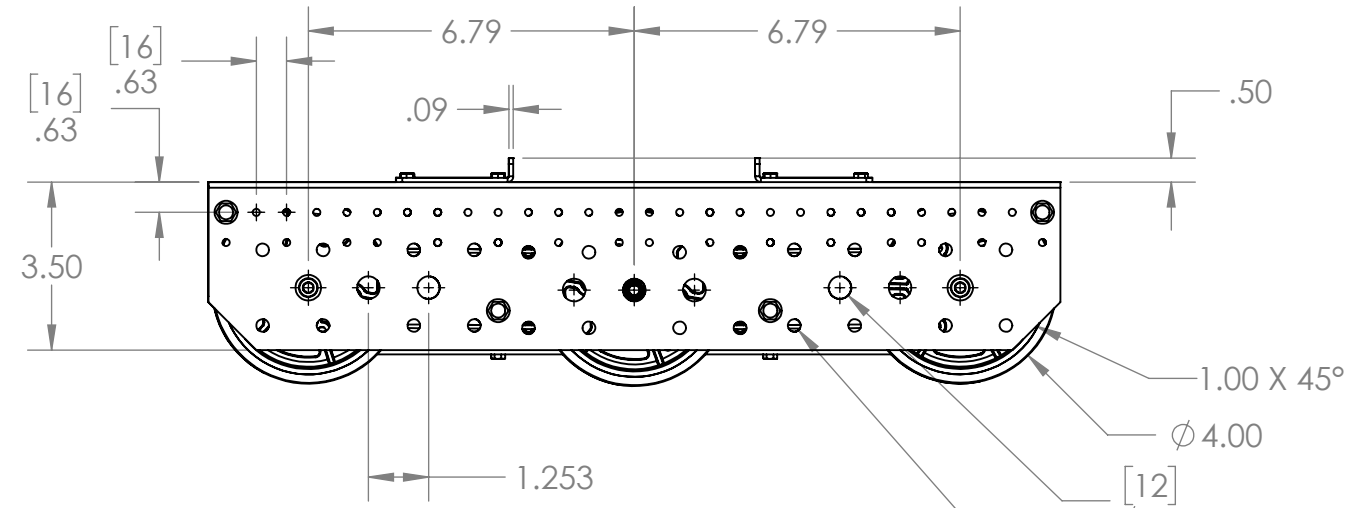
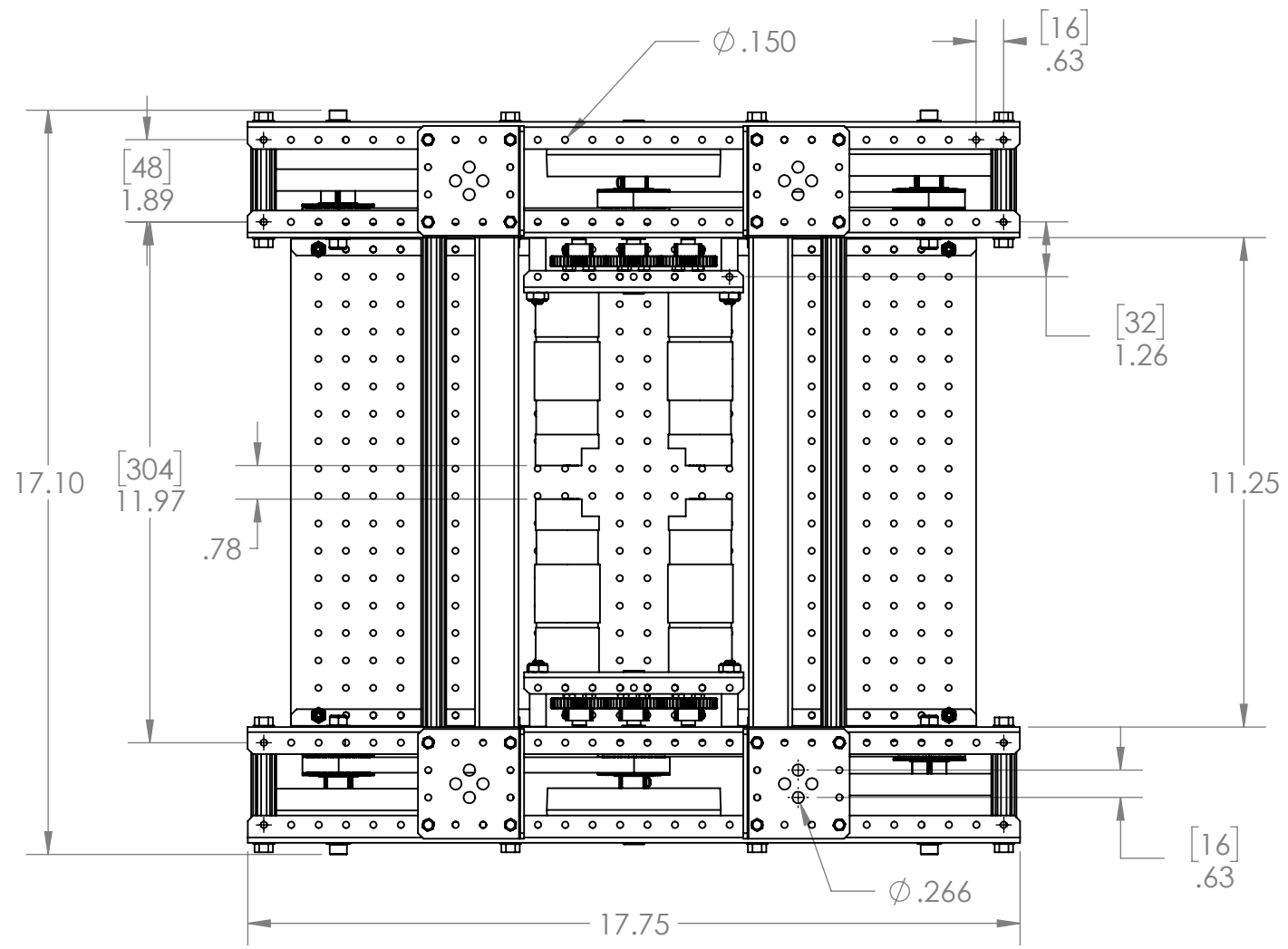


REVISION HISTORY			
REV.	DESCRIPTION	DATE	DRAWN BY
1	ORIGINAL PRINT	9/7/2016	N. LAWRENCE
1.1	6-32 BHCS SWITCHED FOR 6-32 HHCS	8/23/2017	D. BLAU
2	DRAWN TO MEET AMDS-1	5/17/2018	B. HODSON



\*\*\* SEE CAD FOR ADDITIONAL TOOLPATH INFO\*\*\*

UNLESS OTHERWISE SPECIFIED:		COMMENTS:		TITLE:		
<b>DIMENSIONS ARE IN INCHES</b>		DUAL DIMENSIONS ARE IN MILLIMETERS.		<b>AndyMark</b>		
TOLERANCES:		BREAK ALL SHARP EDGES.		TILERUNNER LAYOUT		
FRACTIONAL	±1/16			SIZE	DWG. NO.	REV
ANGULAR: MACH	±1°			<b>B</b>	am-3437	<b>2</b>
ANGULAR: BEND	±5°			SCALE: 1:4 SHEET 1 OF 1		
ONE PLACE DECIMAL	±0.1					
TWO PLACE DECIMAL	±0.01					
THREE PLACE DECIMAL	±0.005					
FOUR PLACE DECIMAL	±0.0005					
MATERIAL						
FINISH		CHECKED	NAME	DATE		
		ENG APPR.	NL	6/12/18		
		MFG APPR.				
		Q.A.				
DO NOT SCALE DRAWING						

B

B

A

A

4

3

2

1