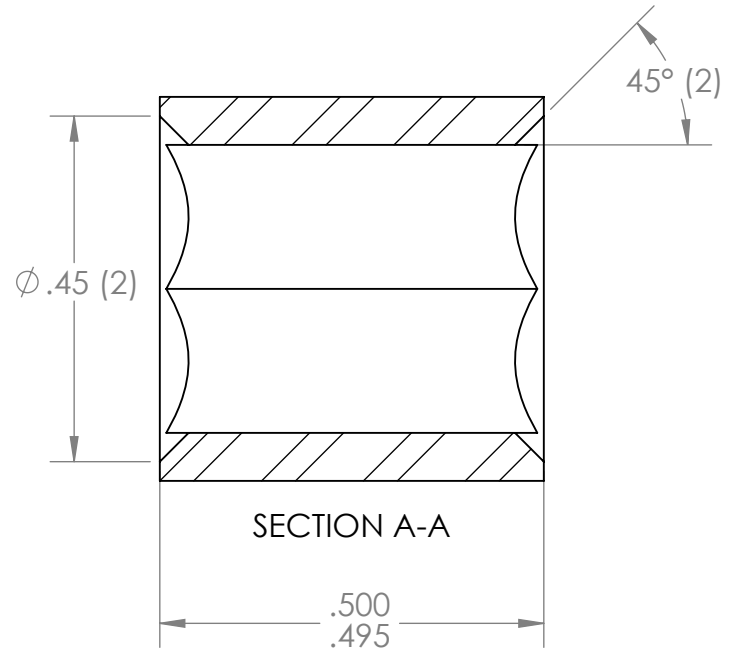
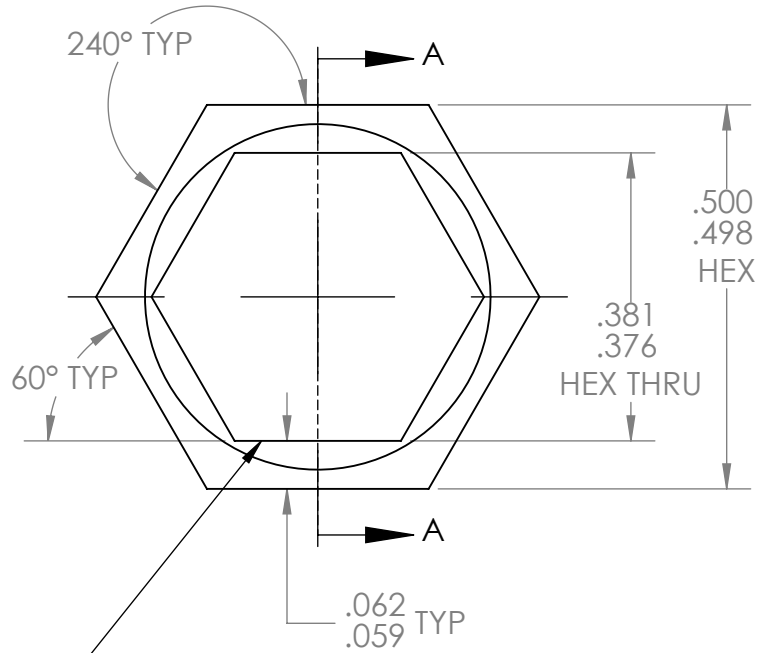
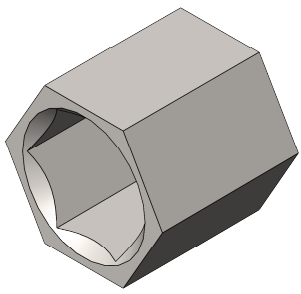



REVISION HISTORY			
REV.	DESCRIPTION	DATE	DRAWN BY
1	ORIGINAL PRINT	10/27/2020	N. MASSOUDA



HEX TO HEX CONCENTRICITY ± 0.002

*** SEE CAD FOR ADDITIONAL TOOLPATH INFO***



UNLESS OTHERWISE SPECIFIED:		COMMENTS:			
DIMENSIONS ARE IN INCHES		DUAL DIMENSIONS ARE IN MILLIMETERS.			
TOLERANCES:		BREAK ALL SHARP EDGES		TITLE:	
FRACTIONAL	±1/16			500 HEX TO 375 HEX	
ANGULAR: MACH	±1°			ADAPTER 0.5 IN LONG	
ANGULAR: BEND	±5°			SIZE	
ONE PLACE DECIMAL	±0.1			DWG. NO.	
TWO PLACE DECIMAL	±0.01			A am-3832_short	
THREE PLACE DECIMAL	±0.005			REV	
FOUR PLACE DECIMAL	±0.0005			1	
MATERIAL	4140 STEEL	NAME	DATE	SCALE: 4:1	
FINISH	DEBURRED	CHECKED	NL	WEIGHT:	
	ZINC PLATED	ENG APPR.		SHEET 1 OF 1	
		MFG APPR.			
	DO NOT SCALE DRAWING	Q.A.			