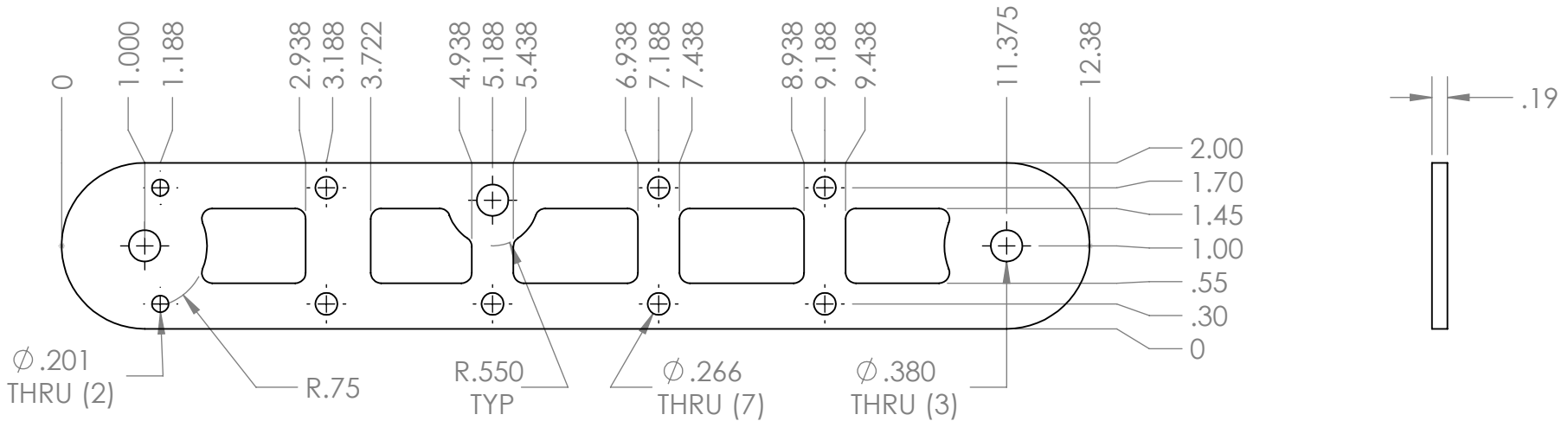



REVISION HISTORY			
REV.	DESCRIPTION	DATE	DRAWN BY
1	ORIGINAL PRINT	12/16/2015	A. BAKER
2	UPDATED TO AMDS-1	7/2/2018	A. MILLS



*** SEE CAD FOR ADDITIONAL TOOLPATH INFO***

UNLESS OTHERWISE SPECIFIED:		COMMENTS:				
DIMENSIONS ARE IN INCHES		DUAL DIMENSIONS ARE IN MILLIMETERS.				
TOLERANCES: FRACTIONAL ±1/16 ANGULAR: MACH ±1° ANGULAR: BEND ±5° ONE PLACE DECIMAL ±0.1 TWO PLACE DECIMAL ±0.01 THREE PLACE DECIMAL ±0.0005 FOUR PLACE DECIMAL ±0.0005		BREAK ALL SHARP EDGES		SIZE DWG. NO. REV		
MATERIAL 6061-T6 ALUMINUM		CHECKED	NAME NL	DATE 6/27/18	A am-3320 2	
FINISH TUMBLLED		ENG APPR.				
DO NOT SCALE DRAWING		MFG APPR.			SCALE: 1:4 WEIGHT: SHEET 1 OF 1	
		Q.A.				