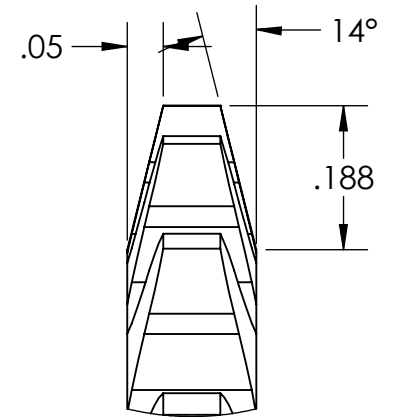
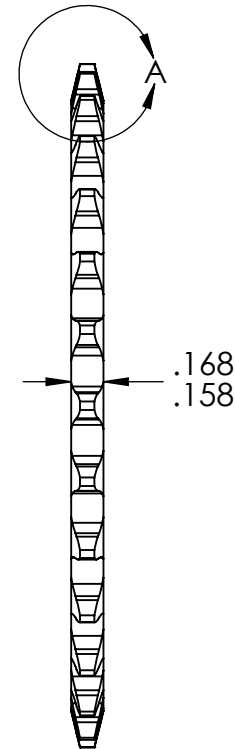
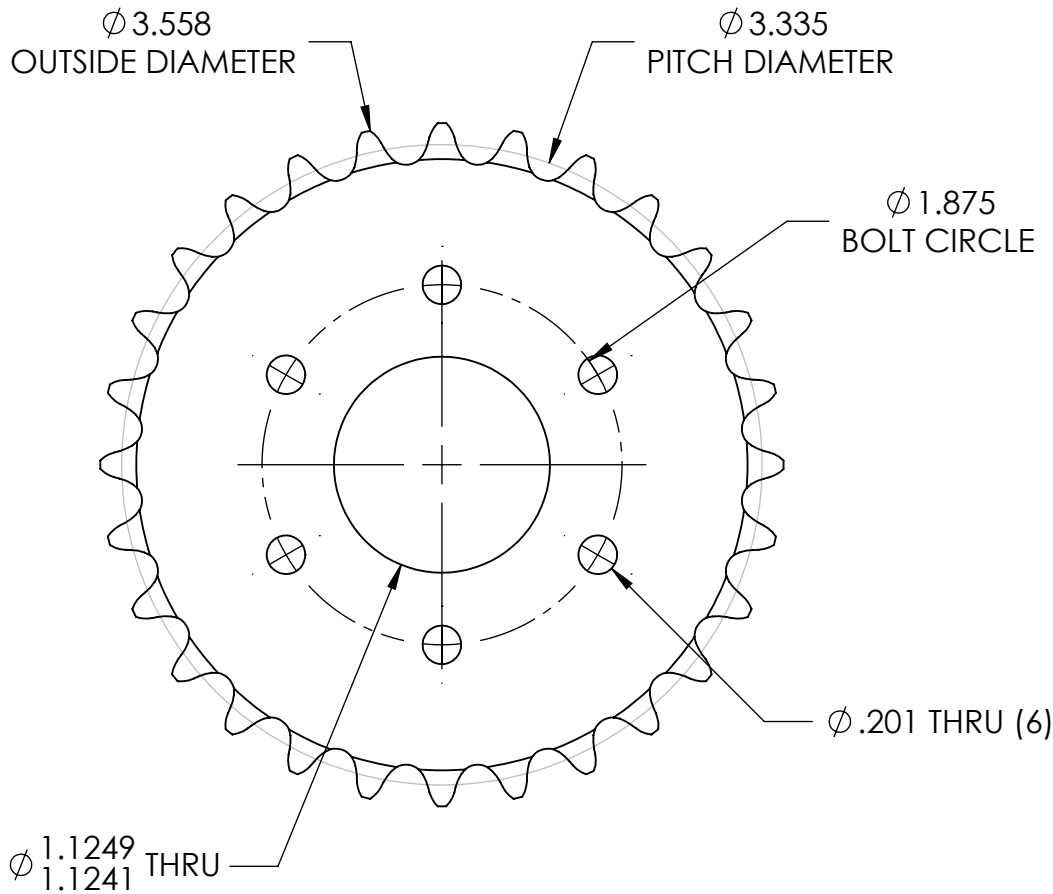



| REVISION HISTORY | | | |
|------------------|----------------------------------|-----------|----------|
| REV. | DESCRIPTION | DATE | DRAWN BY |
| 1 | ORIGINAL PRINT | 10/3/2008 | A. BAKER |
| 2 | CHAMFER ADDED, UPDATED TO AMDS-1 | 7/16/2018 | A. MILLS |



DETAIL A
SCALE 4:1

*** SEE CAD FOR ADDITIONAL TOOLPATH INFO***

| | | | | | | | |
|---|--|-------------------------------------|------------|-----------------|---|---------------------|--------------|
| UNLESS OTHERWISE SPECIFIED: | | COMMENTS: | | |  | | |
| DIMENSIONS ARE IN INCHES | | DUAL DIMENSIONS ARE IN MILLIMETERS. | | | | | |
| TOLERANCES: FRACTIONAL $\pm 1/16$ ANGULAR: MACH $\pm 1^\circ$ ANGULAR: BEND $\pm 5^\circ$ ONE PLACE DECIMAL ± 0.1 TWO PLACE DECIMAL ± 0.01 THREE PLACE DECIMAL ± 0.005 FOUR PLACE DECIMAL ± 0.0005 | | BREAK ALL SHARP EDGES | | | TITLE: 26T 35 CHAIN BEARING BORE SPROCKET | | |
| MATERIAL 6061-T6 ALUMINUM | | CHECKED | NAME NM | DATE 7/16/18 | SIZE A | DWG. NO. am-0218 | REV 2 |
| FINISH TUMBLER | | ENG APPR. | MFG APPR. | Q.A. | SCALE: 1:1 WEIGHT: | | SHEET 1 OF 1 |
| DO NOT SCALE DRAWING | | | | | | | |