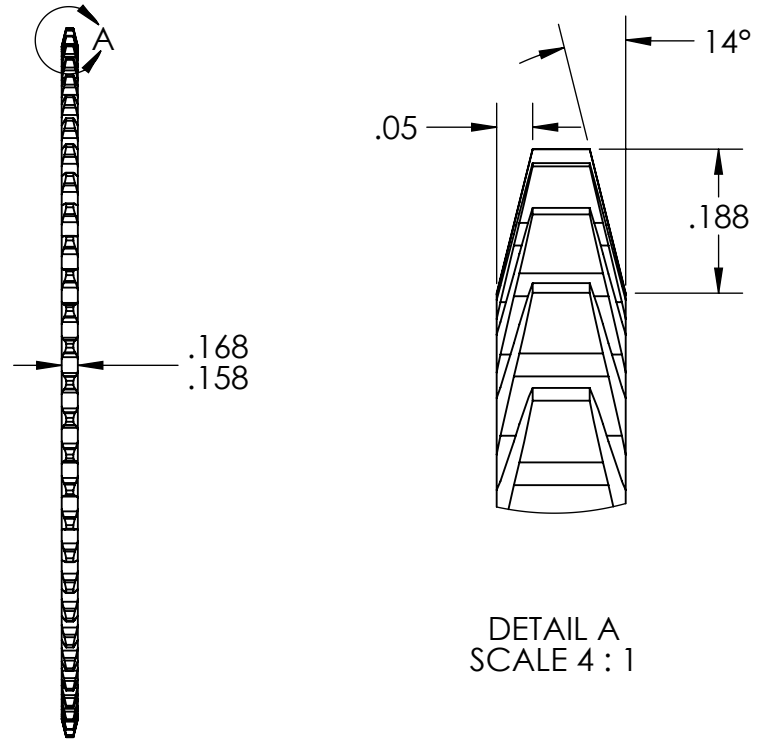
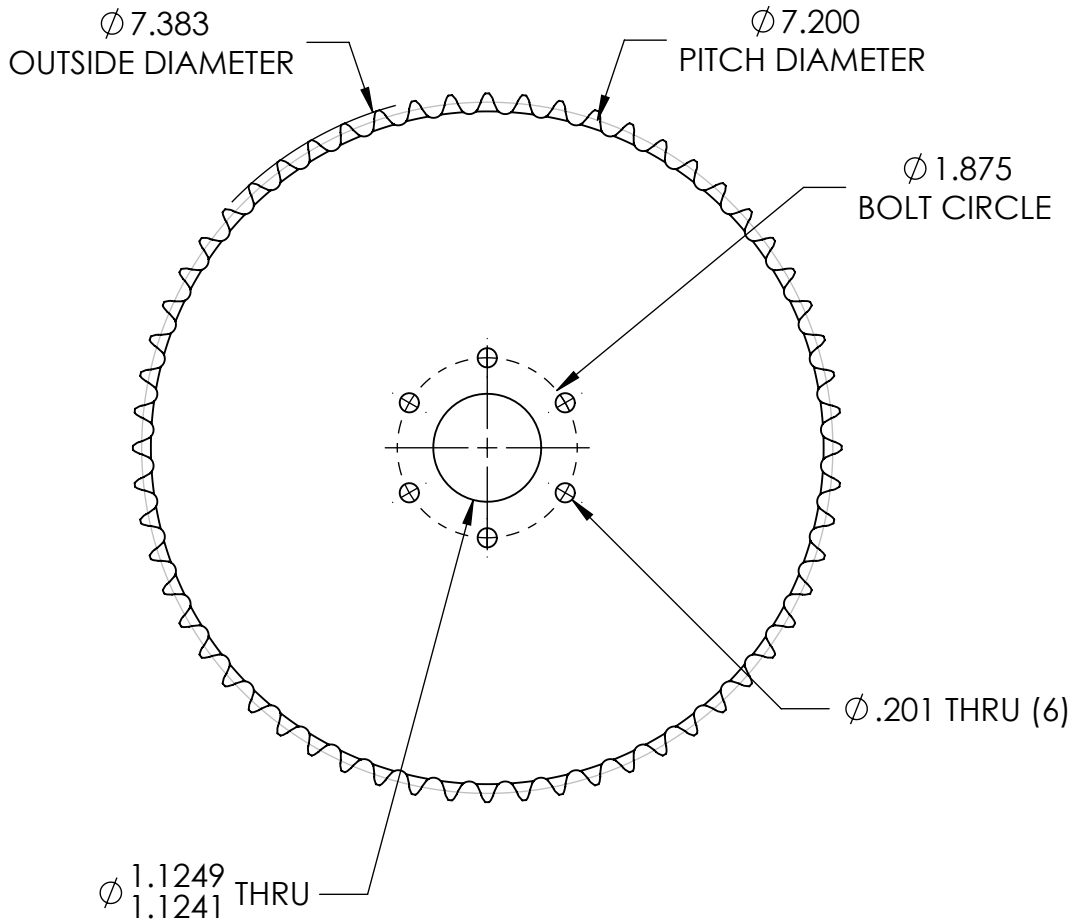



| REVISION HISTORY | | | |
|------------------|----------------------------------|------------|-------------|
| REV. | DESCRIPTION | DATE | DRAWN BY |
| 1 | ORIGINAL PRINT | 10/3/2008 | A. BAKER |
| 2 | CHAMFER ADDED, UPDATED TO AMDS-1 | 7/16/2018 | A. MILLS |
| 3 | UPDATED MATERIAL AND FINISH | 12/19/2019 | N. MASSOUDA |



*** SEE CAD FOR ADDITIONAL TOOLPATH INFO***

| | | | | | | | |
|---|--|-------------------------------------|---------|--------------|---|------------------|--------------|
| UNLESS OTHERWISE SPECIFIED: | | COMMENTS: | | |  | | |
| DIMENSIONS ARE IN INCHES | | DUAL DIMENSIONS ARE IN MILLIMETERS. | | | | | |
| TOLERANCES: FRACTIONAL $\pm 1/16$ ANGULAR: MACH $\pm 1^\circ$ ANGULAR: BEND $\pm 5^\circ$ ONE PLACE DECIMAL ± 0.1 TWO PLACE DECIMAL ± 0.01 THREE PLACE DECIMAL ± 0.005 FOUR PLACE DECIMAL ± 0.0005 | | BREAK ALL SHARP EDGES | | | 60T 35 CHAIN BEARING BORE SPROCKET | | |
| MATERIAL 7075-T6 AL | | CHECKED | NAME NM | DATE 7/16/18 | SIZE A | DWG. NO. am-0226 | REV 3 |
| FINISH SILVER ANODIZE | | ENG APPR. | | | SCALE: 1:2 | | |
| DO NOT SCALE DRAWING | | Q.A. | | | WEIGHT: | | SHEET 1 OF 1 |